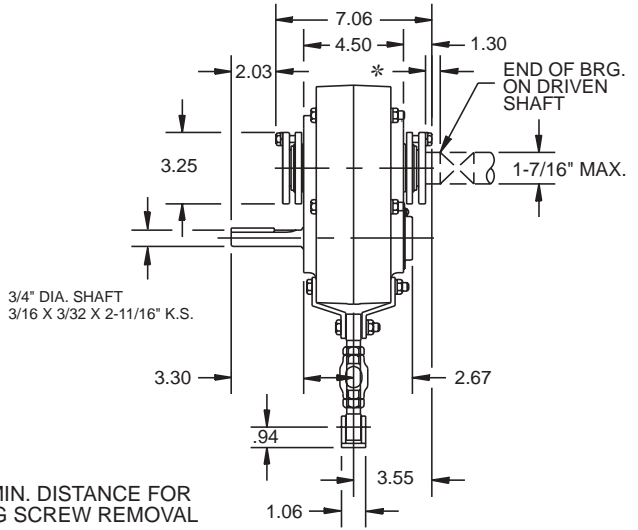
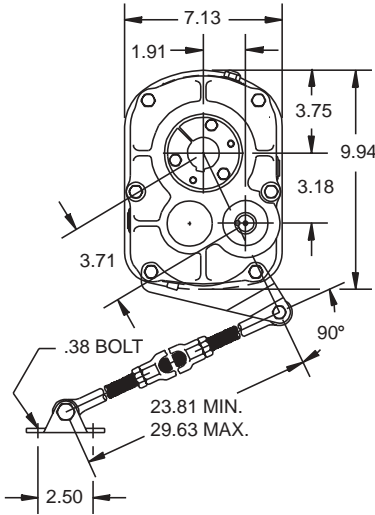


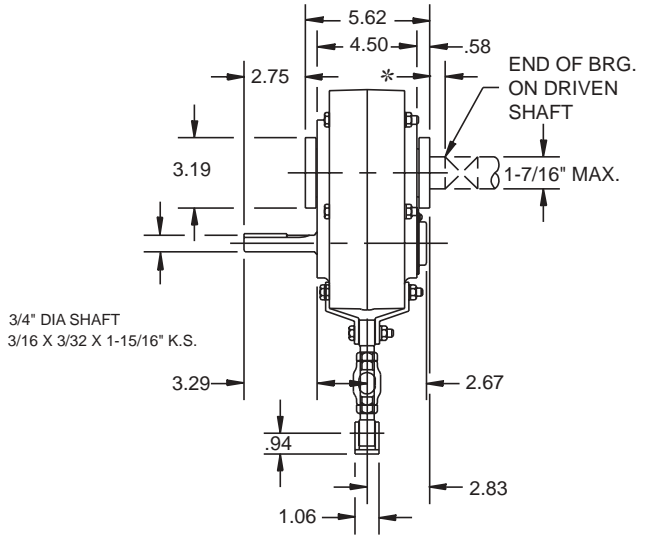
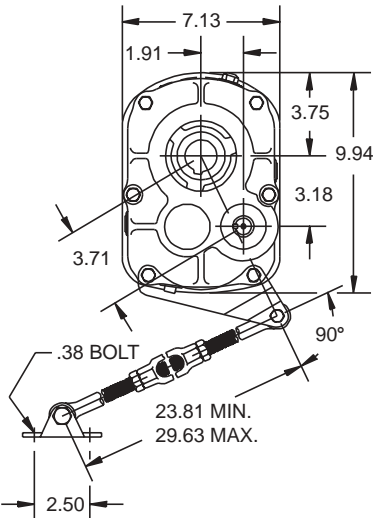
# SELECTION/DIMENSIONS



## TORQUE-ARM Shaft Mount Speed Reducers TXT1 - DOUBLE REDUCTION TAPER BUSHED



## TXT1 - DOUBLE REDUCTION STRAIGHT BORE



FEATURES/BENEFITS PAGE G2-3	NOMENCLATURE PAGE G2-11	SELECTION PAGE G2-13	RELATED PRODUCTS PAGE G2-152
--------------------------------	----------------------------	-------------------------	---------------------------------

# SELECTION/DIMENSIONS



## TORQUE-ARM Shaft Mount Speed Reducers

### TXT1 Taper Bushed Reducers ■ ○

Reducer Size	Part Number	AGMA Code	Actual Ratio	Weight
TXT109T	<b>241092</b>	107D09	9.44	45
TXT115T	<b>241065</b>	107D15	15.35	45
TXT125T	<b>241066</b>	107D25	25.64	45

### TXT1 Straight Bore Reducers ■ ○

Reducer Size	Part Number	AGMA Code	Actual Ratio	Weight
TXT109S	<b>241327</b> ♣	107D09	9.44	45
TXT115S	<b>241073</b>	107D15	15.35	45
TXT125S	<b>241074</b>	107D25	25.64	45

### TXT1 Bushing Assemblies ●

Stock Bore Size	Part Number		Shaft Keyseat Required †			Weight	
	Tapered Bushing	Straight Bore Bushing	Tapered Bushing	Straight Bore Bushing	Tapered Bushing	Straight Bore Bushing	
1-7/16 (Max.)	<b>241292</b>	◆	3/8x3x16x6-7/16	3/8x3/16x2	2		
1-3/8	<b>241294</b>	-	5/16 x 5/32 x 6-7/16	-	1.8	-	
1-5/16 ▲	<b>241290</b>	<b>241347</b>	5/16 x 5/32 x 6-7/16	5/16 x 5/32 x 2	1.8	.4	
1-1/4 ▲	<b>241288</b>	<b>241346</b>	1/4 x 1/8 x 6-7/16	1/4 x 1/8 x 2	2.0	.6	
1-3/16 ▲	<b>241286</b>	<b>241345</b>	1/4 x 1/8 x 6-7/16	1/4 x 1/8 x 2	2.2	.6	
1-1/8 ▲	<b>241282</b>	<b>241344</b>	1/4 x 1/8 x 6-7/16	1/4 x 1/8 x 1-3/4	2.2	.6	
1 ▲	<b>241278</b>	<b>241342</b>	1/4 x 1/8 x 6-7/16	1/4 x 1/8 x 1-3/4	2.5	1	

♣ Made to order.

† Shaft key furnished.

▲ Check the driven shaft and key for strength.

◆ Preferred bore. No bushing required for this bore size.

○ Stock TXT1 Reducers are drilled for vertical mounting.

■ See page G2-201 for reducer part numbers and drill and tap dimensions. for Flange Mount TXT Reducers. Now available only as special factory order.

● Taper Bushed Reducers require bushing for all bore sizes.

♥ Use with Taper Bushed Reducers only. See page G2-203 for drill and tap information required to mount to reducer.

### TXT1 Accessories

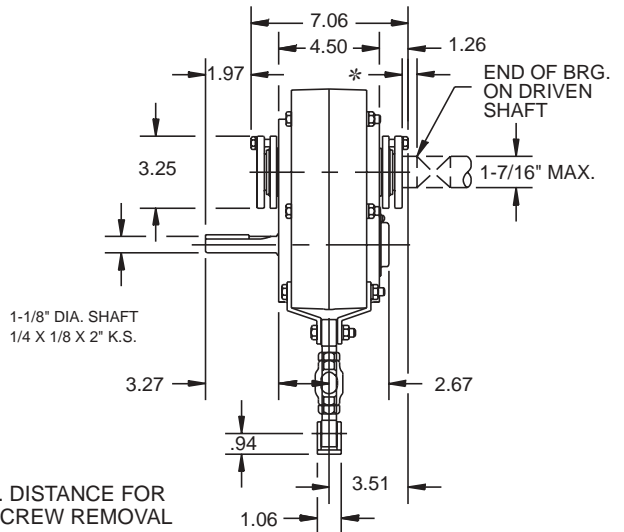
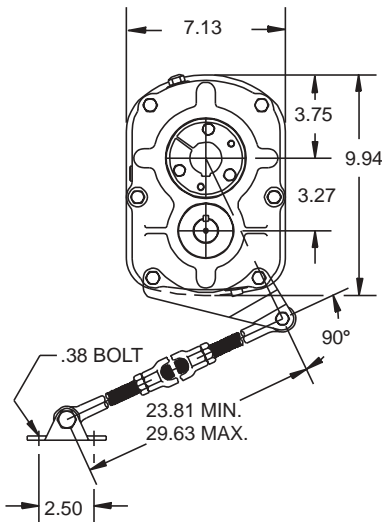
Description	Part Number	Weight
TA1M Standard Motor Mount (56T-215T)	<b>241391</b>	37.3
TAB1 Bottom Motor Mount (56T-215T)	<b>241421</b>	34
TXT1 Backstop Assembly	<b>242101</b>	.8
Optional Filter Breather (3/8-18 NPT)	<b>430048</b>	.2
TXT1-D TA Reducer Belt Guard (56T-215T)	<b>241395</b>	30
TXT1 Taconite Auxiliary Seal Kit ♥	<b>272515</b>	4.40

FEATURES/BENEFITS PAGE G2-3	NOMENCLATURE PAGE G2-11	SELECTION PAGE G2-13	RELATED PRODUCTS PAGE G2-152
--------------------------------	----------------------------	-------------------------	---------------------------------

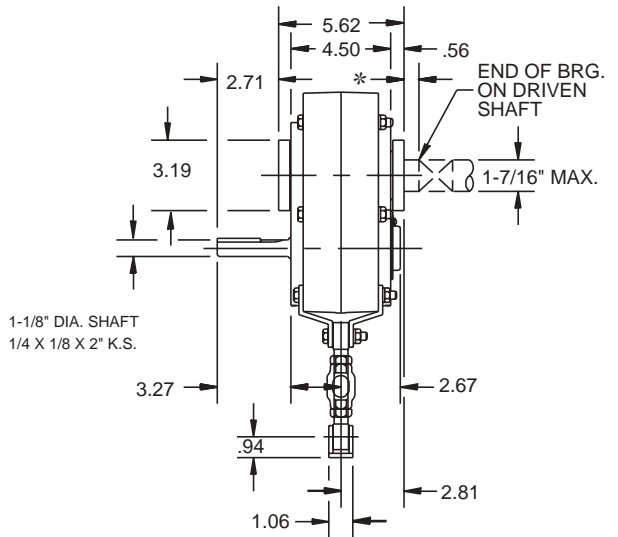
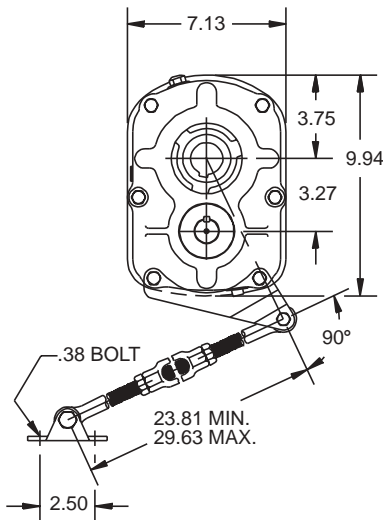


# SELECTION/DIMENSIONS

## TORQUE-ARM Shaft Mount Speed Reducers TXT105 - SINGLE REDUCTION TAPER BUSHED



## TXT105 - SINGLE REDUCTION STRAIGHT BORE



FEATURES/BENEFITS PAGE G2-3	NOMENCLATURE PAGE G2-11	SELECTION PAGE G2-13	RELATED PRODUCTS PAGE G2-152
--------------------------------	----------------------------	-------------------------	---------------------------------

# SELECTION/DIMENSIONS



## TORQUE-ARM Shaft Mount Speed Reducers

### TXT105 Taper Bushed Reducers ■ ○

Reducer Size	Part Number	AGMA Code	Actual Ratio	Weight
TXT105T	241083	107S05	5.62	40

### TXT105 Straight Bore Reducers ■ ○

Reducer Size	Part Number	AGMA Code	Actual Ratio	Weight
TXT105S	241087	107S05	5.62	40

### TXT105 Accessories

Description	Part Number	Weight
TA1M Standard Motor Mount (56T-215T)	241391	37.3
TAB1 Bottom Motor Mount (56T-215T) †	241421	34
TXT105 Backstop Assembly	242101	.8
Optional Filter Breather (3/8-18 NPT)	430048	.2
TXT1-S TA Reducer Belt Guard (56T-215T)	241397	30
TXT105 Taconite Auxiliary Seal Kit ♥	272521	5

### TXT1 Bushing Assemblies ●

Stock Bore Size	Part Number		Shaft Keyseat Required †		Weight	
	Tapered Bushing	Straight Bore Bushing	Tapered Bushing	Straight Bore Bushing	Tapered Bushing	Straight Bore Bushing
1-7/16 (Max.)	241292	◆	3/8 x 3/16 x 6-7/16	3/8 x 3/16 x 2	2	-
1-3/8	241294	-	5/16 x 5/32 x 6-7/16	-	1.8	-
1-5/16 ▲	241290	241347	5/16 x 5/32 x 6-7/16	5/16 x 5/32 x 2	1.8	.4
1-1/4 ▲	241288	241346	1/4 x 1/8 x 6-7/16	1/4 x 1/8 x 2	2	.6
1-3/16 ▲	241286	241345	1/4 x 1/8 x 6-7/16	1/4 x 1/8 x 2	2.2	.6
1-1/8 ▲	241282	241344	1/4 x 1/8 x 6-7/16	1/4 x 1/8 x 1-3/4	2.2	.6
1 ▲	241278	241342	1/4 x 1/8 x 6-7/16	1/4 x 1/8 x 1-3/4	2.5	1

† DODGE standard belt guards will not fit this motor mount.

† Shaft key furnished.

▲ Check the driven shaft and key for strength.

◆ Preferred bore. No bushing required for this bore size.

○ Stock TXT105 Reducers are drilled for vertical mounting.

■ See page G2-201 for reducer part numbers and drill and tap dimensions. for Flange Mount TXT Reducers. Now available only as special factory order.

● Taper Bushed Reducers require bushing for all bore sizes.

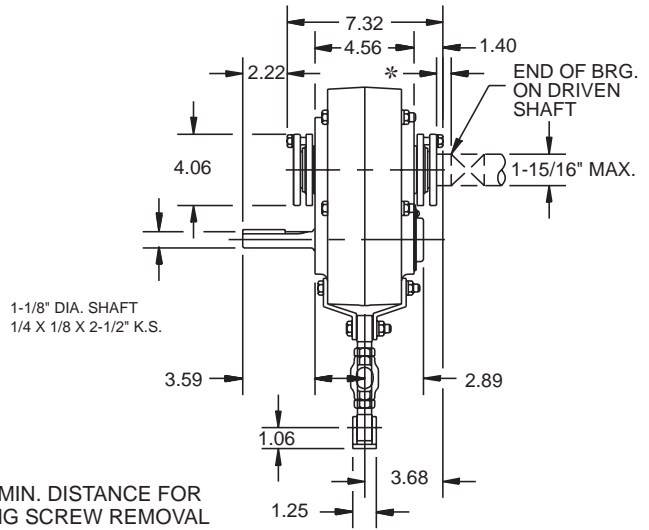
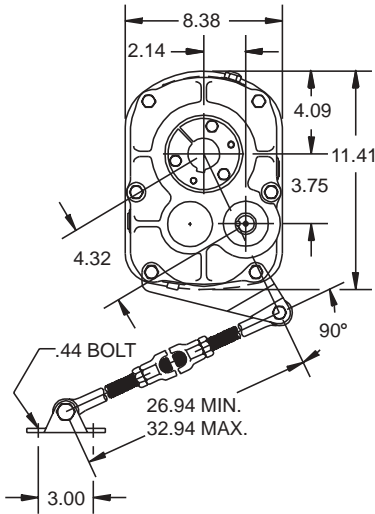
♥ Use with Taper Bushed Reducer only. See page G2-203 for drill and tap information required to mount to reducer.

FEATURES/BENEFITS PAGE G2-3	NOMENCLATURE PAGE G2-11	SELECTION PAGE G2-13	RELATED PRODUCTS PAGE G2-152
--------------------------------	----------------------------	-------------------------	---------------------------------

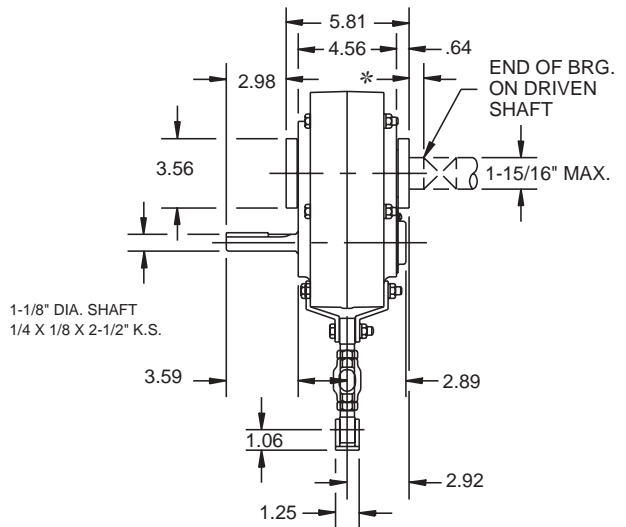
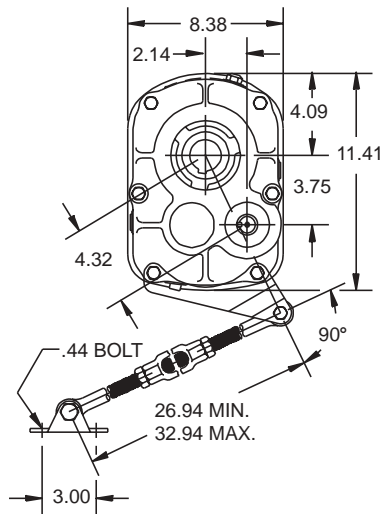


# SELECTION/DIMENSIONS

## TORQUE-ARM Shaft Mount Speed Reducers TXT2 - DOUBLE REDUCTION TAPER BUSHED



## TXT2 - DOUBLE REDUCTION STRAIGHT BORE



FEATURES/BENEFITS PAGE G2-3	NOMENCLATURE PAGE G2-11	SELECTION PAGE G2-13	RELATED PRODUCTS PAGE G2-152
--------------------------------	----------------------------	-------------------------	---------------------------------

# SELECTION/DIMENSIONS



## TORQUE-ARM Shaft Mount Speed Reducers

### TXT2 Taper Bushed Reducers ■ ○

Reducer Size	Part Number	AGMA Code	Actual Ratio	Weight
TXT209T	242079	115D09	9.25	58
TXT215T	242082	115D15	14.10	58
TXT225T	242083	115D25	23.46	58

### TXT2 Straight Bore Reducers ■ ○

Reducer Size	Part Number	AGMA Code	Actual Ratio	Weight
TXT209S	242327 ♣	115D09	9.25	58
TXT215S	242090	115D15	14.10	58
TXT225S	242091	115D25	23.46	58

### TXT2 Accessories

Description	Part Number	Weight
TA1M Standard Motor Mount (56T-215T)	241391	37.3
TAB2 Bottom Motor Mount (56T-215T) ♣	242421	34
TXT2 Backstop Assembly	252101	1
Optional Filter Breather (3/8-18 NPT)	430048	.2
TXT2-D TA Reducer Belt Guard (56T-215T)	242395	36
TXT2 Taconite Auxiliary Seal Kit ♥	272446	5.5

### TXT2 Bushing Assemblies ●

Stock Bore Size	Part Number		Shaft Keyseat Required †		Weight	
	Tapered Bushing	Straight Bore Bushing	Tapered Bushing	Straight Bore Bushing	Tapered Bushing	Straight Bore Bushing
1-15/16 (Max.)	242168	◆	1/2 x 1/4 x 6-11/16	1/2 x 1/4 x 2-1/2	2.9	-
1-3/4	242166	242351	3/8 x 3/16 x 6-11/16	3/8 x 3/16 x 2-7/8	3.3	.8
1-11/16	242164	242350	3/8 x 3/16 x 6-11/16	3/8 x 3/16 x 2-7/8	3.4	1.1
1-5/8 ▲	242162	242349	3/8 x 3/16 x 6-11/16	3/8 x 3/16 x 2-7/8	3.2	1.2
1-1/2 ▲	242158	242348	3/8 x 3/16 x 6-11/16	3/8 x 3/16 x 2-1/2	3.8	1.5
1-7/16 ▲	242156	242347	3/8 x 3/16 x 6-11/16	3/8 x 3/16 x 2-1/2	4	1.7
1-3/8 ▲	242154	242346	5/16 x 5/32 x 6-11/16	5/16 x 5/32 x 2	3.6	1.8
1-5/16 ▲	242152	242345	5/16 x 5/32 x 6-11/16	5/16 x 5/32 x 2	3.6	1.8
1-1/4 ▲	242150	242344	1/4 x 1/8 x 6-11/16	1/4 x 1/8 x 2	3.6	2.1
1-3/16 ▲	242148	242343	1/4 x 1/8 x 6-11/16	1/4 x 1/8 x 2	3.6	2.2
1-1/8 ▲	242146	-	1/4 x 1/8 x 6-11/16	-	3.8	-

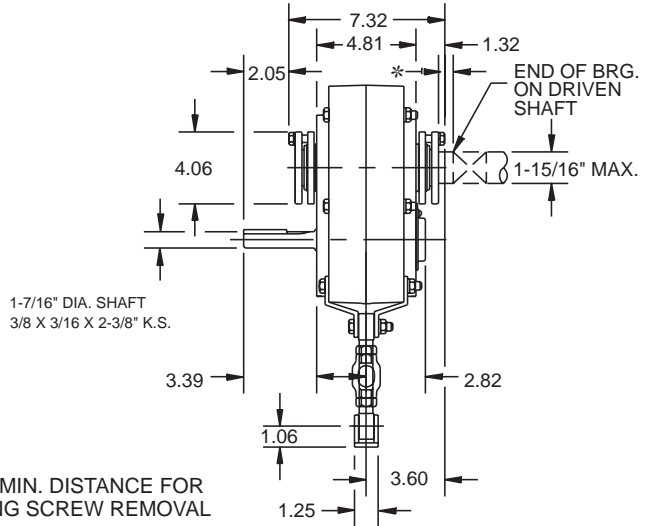
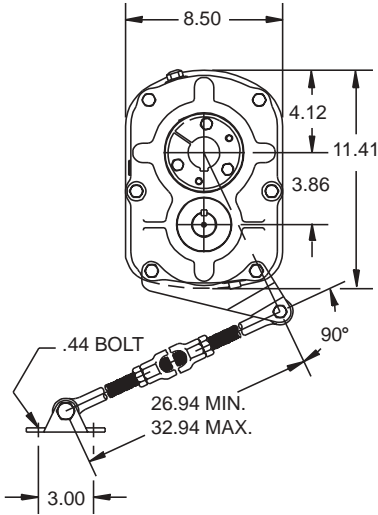
- ♣ DODGE standard belt guards will not fit this motor mount.
- † Shaft key furnished.
- ▲ Check the driven shaft and key for strength.
- ◆ Preferred bore. No bushing required for this bore size.
- Stock TXT2 Reducers are drilled for vertical mounting.
- ♣ Made to order.
- See page G2-201 for reducer part numbers and drill and tap dimensions. for Flange Mount TXT Reducers. Now available only as special factory order.
- Taper Bushed Reducers require bushing for all bore sizes.
- ♥ Use with Taper Bushed Reducder only. See page G2-203 for drill and tap information required to mount to reducer.

FEATURES/BENEFITS PAGE G2-3	NOMENCLATURE PAGE G2-11	SELECTION PAGE G2-13	RELATED PRODUCTS PAGE G2-152
--------------------------------	----------------------------	-------------------------	---------------------------------

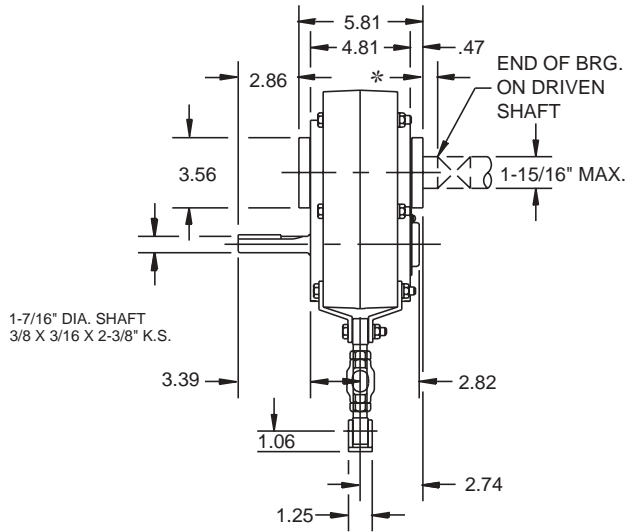
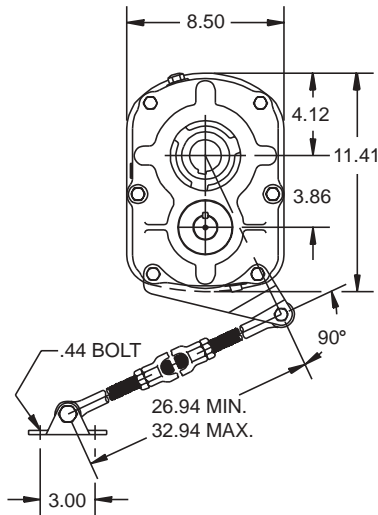
# SELECTION/DIMENSIONS



## TORQUE-ARM Shaft Mount Speed Reducers TXT205 - SINGLE REDUCTION TAPER BUSHED



## TXT205 - SINGLE REDUCTION STRAIGHT BORE



FEATURES/BENEFITS PAGE G2-3	NOMENCLATURE PAGE G2-11	SELECTION PAGE G2-13	RELATED PRODUCTS PAGE G2-152
--------------------------------	----------------------------	-------------------------	---------------------------------

# SELECTION/DIMENSIONS



## TORQUE-ARM Shaft Mount Speed Reducers

### TXT205 Taper Bushed Reducers ■ ○

Reducer Size	Part Number	AGMA Code	Actual Ratio	Weight
TXT205T	242249	115S05	5.29	52

### TXT205 Straight Bore Reducers ■ ○

Reducer Size	Part Number	AGMA Code	Actual Ratio	Weight
TXT205S	242253	115S05	5.29	52

### TXT205 Accessories

Description	Part Number	Weight
TA1M Standard Motor Mount (56T-215T)	241391	37.3
TAB2 Bottom Motor Mount (56T-215T) †	242421	34
TXT205 Backstop Assembly	252101	1
Optional Filter Breather (3/8-18 NPT)	430048	0.2
TXT2-S TA Reducer Belt Guard (56T-215T)	242397	36
TXT205 Taconite Auxiliary Seal Kit ♥	272459	5.8

### TXT2 Bushing Assemblies ●

Stock Bore Size		Part Number		Shaft Keyseat Required †		Weight	
		Tapered Bushing	Straight Bore Bushing	Tapered Bushing	Straight Bore Bushing	Tapered Bushing	Straight Bore Bushing
1-15/16	(Max.)	242168	◆	1/2 x 1/4 x 6-11/16	1/2 x 1/4 x 2-1/2	2.9	-
1-3/4		242166	242351	3/8 x 3/16 x 6-11/16	3/8 x 3/16 x 2-7/8	3.3	.8
1-11/16		242164	242350	3/8 x 3/16 x 6-11/16	3/8 x 3/16 x 2-7/8	3.4	1.1
1-5/8	▲	242162	242349	3/8 x 3/16 x 6-11/16	3/8 x 3/16 x 2-7/8	3.2	1.2
1-1/2	▲	242158	242348	3/8 x 3/16 x 6-11/16	3/8 x 3/16 x 2-1/2	3.8	1.5
1-7/16	▲	242156	242347	3/8 x 3/16 x 6-11/16	3/8 x 3/16 x 2-1/2	4	1.7
1-3/8	▲	242154	242346	5/16 x 5/32 x 6-11/16	5/16 x 5/32 x 2	3.6	1.8
1-5/16	▲	242152	242345	5/16 x 5/32 x 6-11/16	5/16 x 5/32 x 2	3.6	1.8
1-1/4	▲	242150	242344	1/4 x 1/8 x 6-11/16	1/4 x 1/8 x 2	3.6	2.1
1-3/16	▲	242148	242343	1/4 x 1/8 x 6-11/16	1/4 x 1/8 x 2	3.6	2.2
1-1/8	▲	242146	-	1/4 x 1/8 x 6-11/16	-	3.8	-

◆ DODGE standard belt guards will not fit this motor mount.

† Shaft key furnished.

▲ Check the driven shaft and key for strength.

◆ Preferred bore. No bushing required for this bore size.

○ Stock TXT205 Reducers are drilled for vertical mounting.

♣ Made to order.

■ See page G2-201 for reducer part numbers and drill and tap dimensions. for Flange Mount TXT Reducers. Now available only as special factory order.

● Taper Bushed Reducers require bushing for all bore sizes.

♥ Use with Taper Bushed Reducers only. See page G2-203 for drill and tap information required to mount to reducer.

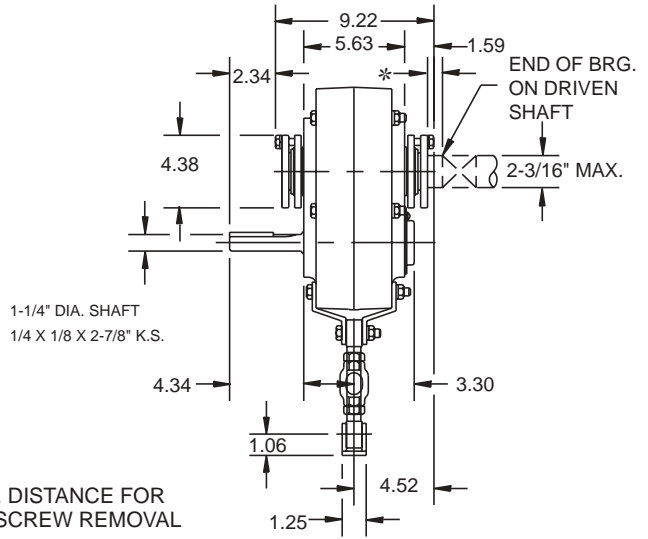
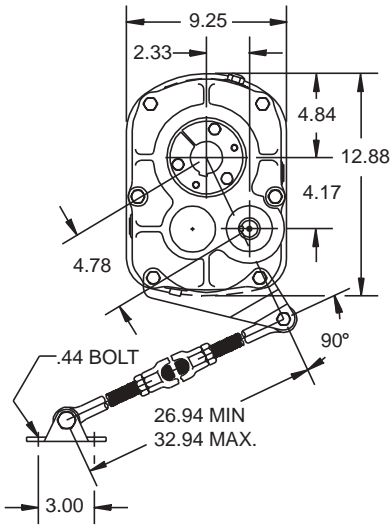
FEATURES/BENEFITS PAGE G2-3	NOMENCLATURE PAGE G2-11	SELECTION PAGE G2-13	RELATED PRODUCTS PAGE G2-152
--------------------------------	----------------------------	-------------------------	---------------------------------



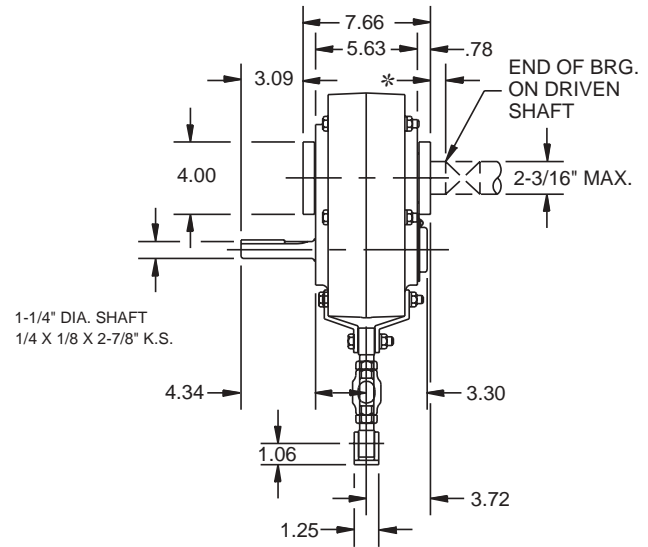
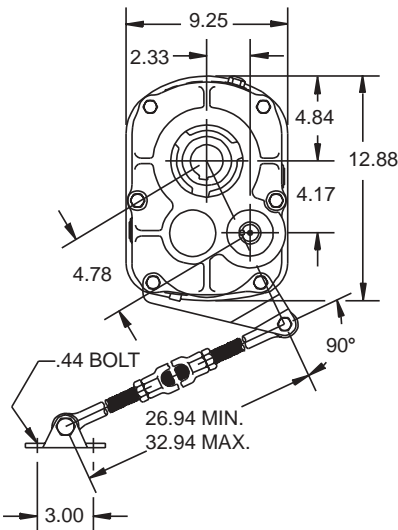
# SELECTION/DIMENSIONS



## TORQUE-ARM Shaft Mount Speed Reducers TXT3A -DOUBLE REDUCTION TAPER BUSHED



## TXT3A - DOUBLE REDUCTION STRAIGHT BORE



FEATURES/BENEFITS PAGE G2-3	NOMENCLATURE PAGE G2-11	SELECTION PAGE G2-13	RELATED PRODUCTS PAGE G2-152
--------------------------------	----------------------------	-------------------------	---------------------------------

# SELECTION/DIMENSIONS



## TORQUE-ARM Shaft Mount Speed Reducers

### TXT3A Taper Bushed Reducers ■ ○

Reducer Size	Part Number	AGMA Code	Actual Ratio	Weight
TXT309AT	243500	203D09	8.91	98
TXT315AT	243501	203D15	14.88	98
TXT325AT	243502	203D25	24.71	98

### TXT3A Straight Bore Reducers ■ ○

Reducer Size	Part Number	AGMA Code	Actual Ratio	Weight
TXT309AS	243512 ♣	203D09	8.91	98
TXT315AS	243513	203D15	14.88	98
TXT325AS	243514	203D25	24.71	98

### TXT3A Accessories

Description	Part Number	Weight
TA3M Standard Motor Mount (56T-215T)	243391	38
TA3M Special Motor Mount (254T-256T) ♠	243393	45
TA3ML Long Motor Mount (143T-215T)	243392	42
TAB3 Bottom Motor Mount (143T-286T) ♠	243404	54
TXT3A Backstop Assembly	243106	.6
Optional Filter Breather (3/8-18 NPT)	430048	.2
TXT3-D TA Reducer Belt Guard (56T-215T)	243387	43
TXT3-D TA Reducer Belt Guard for Long Motor Mount (56T-215T) ♣	243153	52
TXT3A Cooling Fan Assembly	243581	3
TXT3A Taconite Auxiliary Seal Kit ♥	243577	7.3

### TXT3 Bushing Assemblies ●

Stock Bore Size	Part Number		Shaft Keyseat Required †		Weight	
	Tapered Bushing	Straight Bore Bushing	Tapered Bushing	Straight Bore Bushing	Tapered Bushing	Straight Bore Bushing
2-3/16 (Max.)	243276	◆	1/2 x 1/4 x 8-1/16	1/2 x 1/4 x 3-5/8	3.7	-
2	243274	243429	1/2 x 1/4 x 8-1/16	1/2 x 1/4 x 3-5/8	4.1	1
1-15/16	243272	243428	1/2 x 1/4 x 8-1/16	1/2 x 1/4 x 3-5/8	4.4	1.2
1-7/8 ▲	243270	243427	1/2 x 1/4 x 8-1/16	1/2 x 1/4 x 3-5/8	4.3	1.9
1-3/4 ▲	243266	243426	3/8 x 3/16 x 8-1/16	3/8 x 3/16 x 3-1/4	4.8	1.9
1-11/16 ▲	243268	243425	3/8 x 3/16 x 8-1/16	3/8 x 3/16 x 3-1/4	4.8	2.2
1-5/8 ▲	243264	243424	3/8 x 3/16 x 8-1/16	3/8 x 3/16 x 2-1/4	4.8	2.3
1-1/2 ▲	243262	243423	3/8 x 3/16 x 8-1/16	3/8 x 3/16 x 2-1/4	5.4	2.5
1-7/16 ▲	243260	243422	3/8 x 3/16 x 8-1/16	3/8 x 3/16 x 2-1/4	5.6	2.7
1-3/8 ▲	243284	243421	5/16 x 5/32 x 8-1/16	5/16 x 5/32 x 2-1/4	5.8	3.2
1-5/16 ▲	243282	243420	5/16 x 5/32 x 8-1/16	5/16 x 5/32 x 2-1/4	5.8	3.8

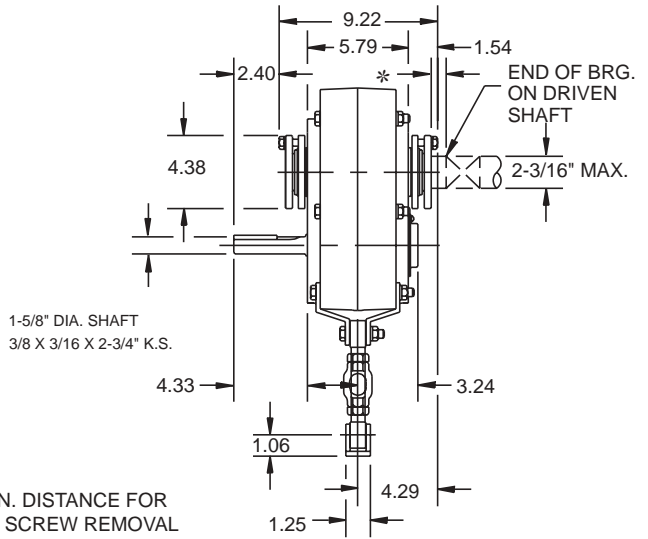
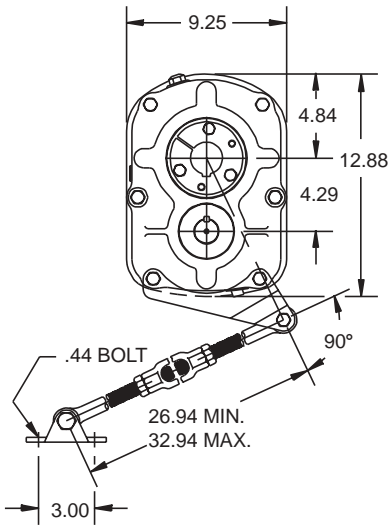
- ♠ DODGE standard belt guards will not fit this motor mount. ■ See page G2-201 for reducer part numbers and drill and tap dimensions.
- † Shaft key furnished. for Flange Mount TXT Reducers. Now available only as special factory order.
- ▲ Check the driven shaft and key for strength.
- ◆ Preferred bore. No bushing required for this bore size.
- Taper Bushed Reducers require bushing for all bore sizes.
- Stock TXT3 Reducers are drilled for vertical mounting.
- ♥ Use with Taper Bushed Reducder only. See page G2-203 for drill and tap information required to mount to reducer.
- ♣ Made to order.

FEATURES/BENEFITS PAGE G2-3	NOMENCLATURE PAGE G2-11	SELECTION PAGE G2-13	RELATED PRODUCTS PAGE G2-152
--------------------------------	----------------------------	-------------------------	---------------------------------

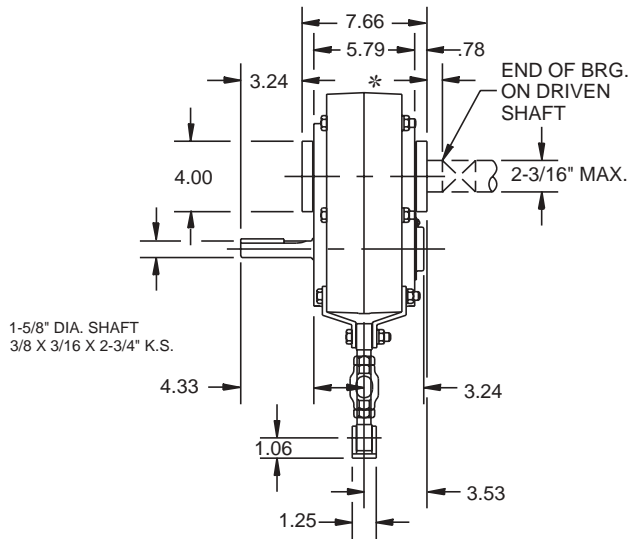
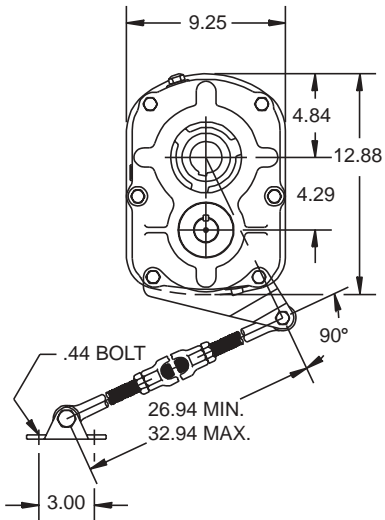


# SELECTION/DIMENSIONS

## TORQUE-ARM Shaft Mount Speed Reducers TXT305A - SINGLE REDUCTION TAPER BUSHED



## TXT305A - SINGLE REDUCTION STRAIGHT BORE



FEATURES/BENEFITS PAGE G2-3	NOMENCLATURE PAGE G2-11	SELECTION PAGE G2-13	RELATED PRODUCTS PAGE G2-152
--------------------------------	----------------------------	-------------------------	---------------------------------

# SELECTION/DIMENSIONS



## TORQUE-ARM Shaft Mount Speed Reducers

### TXT305A Taper Bushed Reducers ■ ○

Reducer Size	Part Number	AGMA Code	Actual Ratio	Weight
TXT305AT	253151	203S05	5.60	86

### TXT305A Straight Bore Reducers ■ ○

Reducer Size	Part Number	AGMA Code	Actual Ratio	Weight
TXT305AS	253155	203S05	5.60	86

### TXT305A Accessories

Description	Part Number	Weight
TA3M Standard Motor Mount (56T-215T)	243391	38
TA3M Special Motor Mount (254T-256T) †	243393	45
TA3ML Long Motor Mount (143T-215T)	243392	42
TAB3 Bottom Motor Mount (143T-286T) †	243404	54
TXT305A Backstop Assembly	252101	1
Optional Filter Breather (3/8-18 NPT)	430048	.2
TXT3-S TA Reducer Belt Guard (56T-215T)	243389	43
TXT3-S TA Reducer Belt Guard for Long Motor Mount (56T-215T) ‡	243164	55
TXT305A Cooling Fan Assembly	253188	3
TXT305A Taconite Auxilliary Seal Kit ♥	253186	7.6

### TXT3 Bushing Assemblies ●

Stock Bore Size	Part Number		Shaft Keyseat Required †		Weight	
	Tapered Bushing	Straight Bore Bushing	Tapered Bushing	Straight Bore Bushing	Tapered Bushing	Straight Bore Bushing
2-3/16 (Max.)	243276	◆	1/2 x 1/4 x 8-1/16	1/2 x 1/4 x 3-5/8	3.7	-
2	243274	243429	1/2 x 1/4 x 8-1/16	1/2 x 1/4 x 3-5/8	4.1	1
1-15/16	243272	243428	1/2 x 1/4 x 8-1/16	1/2 x 1/4 x 3-5/8	4.4	1.2
1-7/8 ▲	243270	243427	1/2 x 1/4 x 8-1/16	1/2 x 1/4 x 3-5/8	4.3	1.9
1-3/4 ▲	243266	243426	3/8 x 3/16 x 8-1/16	3/8 x 3/16 x 3-1/4	4.8	1.9
1-11/16 ▲	243268	243425	3/8 x 3/16 x 8-1/16	3/8 x 3/16 x 3-1/4	4.8	2.2
1-5/8 ▲	243264	243424	3/8 x 3/16 x 8-1/16	3/8 x 3/16 x 2-1/4	4.8	2.3
1-1/2 ▲	243262	243423	3/8 x 3/16 x 8-1/16	3/8 x 3/16 x 2-1/4	5.4	2.5
1-7/16 ▲	243260	243422	3/8 x 3/16 x 8-1/16	3/8 x 3/16 x 2-1/4	5.6	2.7
1-3/8 ▲	243284	243421	5/16 x 5/32 x 8-1/16	5/16 x 5/32 x 2-1/4	5.8	3.2
1-5/16 ▲	243282	243420	5/16 x 5/32 x 8-1/16	5/16 x 5/32 x 2-1/4	5.8	3.8

† DODGE standard belt guards will not fit this motor mount.

† Shaft key furnished.

▲ Check the driven shaft and key for strength.

◆ Preferred bore. No bushing required for this bore size.

○ Stock TXT305 Reducers are drilled for vertical mounting.

♣ Made to order.

■ See page G2-201 for reducer part numbers and drill and tap dimensions. for Flange Mount TXT Reducers. Now available only as special factory order.

● Taper Bushed Reducers require bushing for all bore sizes.

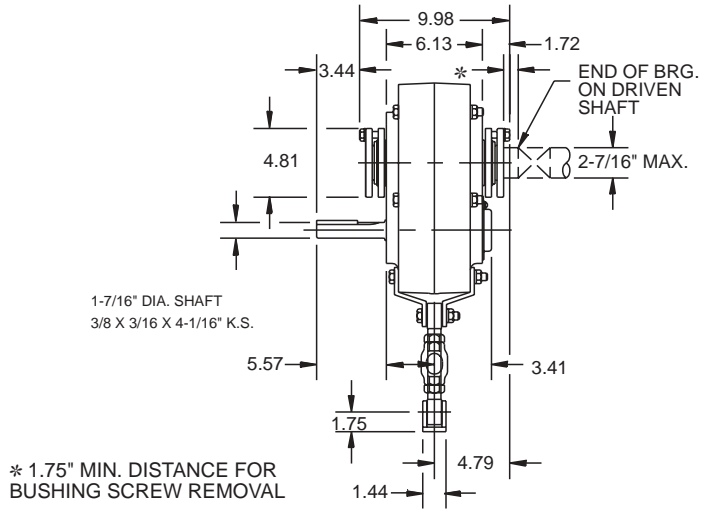
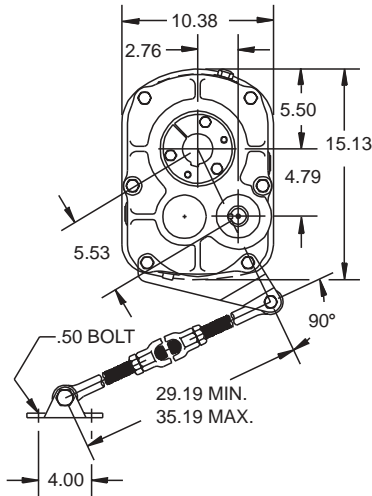
♥ Use with Taper Bushed Redudcer only. See page G2-203 for drill and tap information required to mount to reducer.

FEATURES/BENEFITS PAGE G2-3	NOMENCLATURE PAGE G2-11	SELECTION PAGE G2-13	RELATED PRODUCTS PAGE G2-152
--------------------------------	----------------------------	-------------------------	---------------------------------

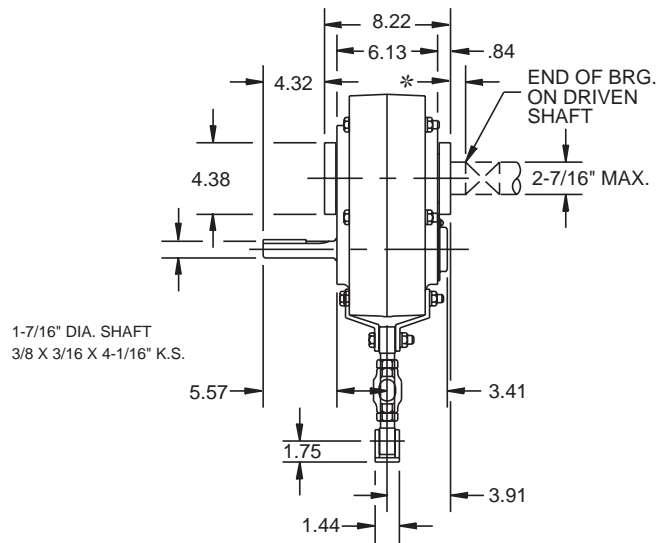
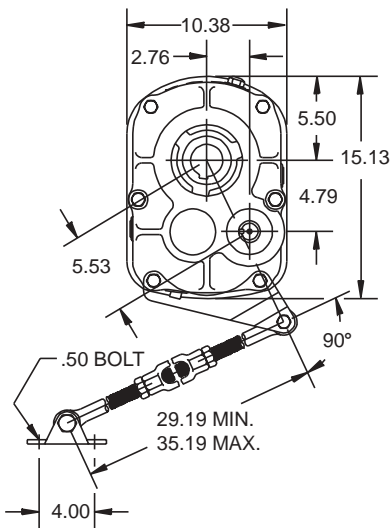


# SELECTION/DIMENSIONS

## TORQUE-ARM Shaft Mount Speed Reducers TXT4A - DOUBLE REDUCTION TAPER BUSHED



## TXT4A - DOUBLE REDUCTION STRAIGHT BORE



FEATURES/BENEFITS PAGE G2-3	NOMENCLATURE PAGE G2-11	SELECTION PAGE G2-13	RELATED PRODUCTS PAGE G2-152
--------------------------------	----------------------------	-------------------------	---------------------------------

# SELECTION/DIMENSIONS



## TORQUE-ARM Shaft Mount Speed Reducers

### TXT4A Taper Bushed Reducers ■ ○

Reducer Size	Part Number	AGMA Code	Actual Ratio	Weight
TXT409AT	244525	207D09	9.67	139
TXT415AT	244526	207D15	15.13	139
TXT425AT	244527	207D25	24.38	139

### TXT4A Straight Bore Reducers ■ ○

Reducer Size	Part Number	AGMA Code	Actual Ratio	Weight
TXT409AS	244537 ♣	207D09	9.67	139
TXT415AS	244538	207D15	15.13	139
TXT425AS	244539	207D25	24.38	139

### TXT4A Accessories

Description	Part Number	Weight
TA4M Standard Motor Mount (143T-286T)	244391	75
TA4ML Long Motor Mount (143T-286T)	244392	75
TAB4 Bottom Motor Mount (143T-326T) ♣	244404	55
TXT4A Backstop Assembly	244106	1.2
Optional Filter Breather (3/8-18 NPT)	430048	.2
TXT4-D TA Reducer Belt Guard (143T-286T)	244395	54
TXT4-D TA Reducer Belt Guard for Long Motor Mount (143T-286T) ♣	244151	65
TXT4A Cooling Fan Assembly	272594	3
TXT4A Taconite Auxiliary Seal Kit ♥	244676	7.7

### TXT4 Bushing Assemblies ●

Stock Bore Size	Part Number		Shaft Keyseat Required †		Weight	
	Tapered Bushing	Straight Bore Bushing	Tapered Bushing	Straight Bore Bushing	Tapered Bushing	Straight Bore Bushing
2-7/16 (Max.)	244115	◆	5/8 x 5/16 x 9-1/32	5/8 x 5/16 x 3-3/8	5.8	-
2-1/4 ▲	244113	244430	1/2 x 1/4 x 9-1/32	1/2 x 1/4 x 3-3/8	6.3	1.2
2-3/16 ▲	244111	244429	1/2 x 1/4 x 9-1/32	1/2 x 1/4 x 3-3/8	6.7	1.5
2-1/8 ▲	244109	244428	1/2 x 1/4 x 9-1/32	1/2 x 1/4 x 3-3/8	7	2.6
2 ▲	244095	244427	1/2 x 1/4 x 9-1/32	1/2 x 1/4 x 4	7.1	2.6
1-15/16 ▲	244093	244426	1/2 x 1/4 x 9-1/32	1/2 x 1/4 x 4	7.4	3.5
1-3/4 ▲	244087	244424	3/8 x 3/16 x 9-1/32	3/8 x 3/16 x 2-7/16	8	3.6
1-11/16 ▲	244085	244423	3/8 x 3/16 x 9-1/32	3/8 x 3/16 x 2-7/16	8.3	3.6
1-1/2 ▲	244081	244421	3/8 x 3/16 x 9-1/32	3/8 x 3/16 x 2-7/16	8.3	4.1
1-7/16 ▲	244079	244420	3/8 x 3/16 x 9-1/32	3/8 x 3/16 x 2-7/16	8.8	4.1

♣ DODGE standard belt guards will not fit this motor mount.

† Shaft key furnished.

▲ Check the driven shaft and key for strength.

◆ Preferred bore. No bushing required for this bore size.

○ Stock TXT4 Reducers are drilled for vertical mounting.

♣ Made to order.

■ See page G2-201 for reducer part numbers and drill and tap dimensions. for Flange Mount TXT Reducers. Now available only as special factory order.

● Taper Bushed Reducers require bushing for all bore sizes.

♥ Use with Taper Bushed Reducder only. See page G2-203 for drill and tap information required to mount to reducer.

FEATURES/BENEFITS PAGE G2-3	NOMENCLATURE PAGE G2-11	SELECTION PAGE G2-13	RELATED PRODUCTS PAGE G2-152
--------------------------------	----------------------------	-------------------------	---------------------------------



# SELECTION/DIMENSIONS



## TORQUE-ARM Shaft Mount Speed Reducers

### TXT405A Taper Bushed Reducers ■ ○

Reducer Size	Part Number	AGMA Code	Actual Ratio	Weight
TXT405AT	254200	207S05	5.65	122

### TXT405A Straight Bore Reducers ■ ○

Reducer Size	Part Number	AGMA Code	Actual Ratio	Weight
TXT405AS	254204	207S05	5.65	122

### TXT405A Accessories

Description	Part Number	Weight
TA4M Standard Motor Mount (143T-286T)	244391	75
TA4ML Long Motor Mount (143T-286T)	244392	75
TAB4 Bottom Motor Mount (143T-326T) ♣	244404	55
TXT405A Backstop Assembly	244148	.9
Optional Filter Breather (3/8-18 NPT)	430048	.2
TXT4-S TA Reducer Belt Guard (143T-286T)	244397	54
TXT4-S TA Reducer Belt Guard for Long Motor Mount (143T-286T) ♣	244164	65
TXT405A Cooling Fan Assembly	254268	3
TXT405A Taconite Auxiliary Seal Kit ♥	254267	7.9

### TXT4 Bushing Assemblies ●

Stock Bore Size	Part Number		Shaft Keyseat Required †		Weight	
	Tapered Bushing	Straight Bore Bushing	Tapered Bushing	Straight Bore Bushing	Tapered Bushing	Straight Bore Bushing
2-7/16 (Max.)	244115	◆	5/8 x 5/16 x 9-1/32	5/8 x 5/16 x 3-3/8	5.8	-
2-1/4 ▲	244113	244430	1/2 x 1/4 x 9-1/32	1/2 x 1/4 x 3-3/8	6.3	1.2
2-3/16 ▲	244111	244429	1/2 x 1/4 x 9-1/32	1/2 x 1/4 x 3-3/8	6.7	1.5
2-1/8 ▲	244109	244428	1/2 x 1/4 x 9-1/32	1/2 x 1/4 x 3-3/8	7	2.6
2 ▲	244095	244427	1/2 x 1/4 x 9-1/32	1/2 x 1/4 x 4	7.1	2.6
1-15/16 ▲	244093	244426	1/2 x 1/4 x 9-1/32	1/2 x 1/4 x 4	7.4	3.5
1-3/4 ▲	244087	244424	3/8 x 3/16 x 9-1/32	3/8 x 3/16 x 2-7/16	8	3.6
1-11/16 ▲	244085	244423	3/8 x 3/16 x 9-1/32	3/8 x 3/16 x 2-7/16	8.3	3.6
1-1/2 ▲	244081	244421	3/8 x 3/16 x 9-1/32	3/8 x 3/16 x 2-7/16	8.3	4.1
1-7/16 ▲	244079	244420	3/8 x 3/16 x 9-1/32	3/8 x 3/16 x 2-7/16	8.8	4.1

♣ DODGE standard belt guards will not fit this motor mount.

† Shaft key furnished.

▲ Check the driven shaft and key for strength.

◆ Preferred bore. No bushing required for this bore size.

○ Stock TXT405 Reducers are drilled for vertical mounting.

♣ Made to order.

■ See page G2-201 for reducer part numbers and drill and tap dimensions.

for Flange Mount TXT Reducers. Now available only as special factory order.

● Taper Bushed Reducers require bushing for all bore sizes.

♥ Use with Taper Bushed Reducer only. See page G2-203 for drill and tap information required to mount to reducer.

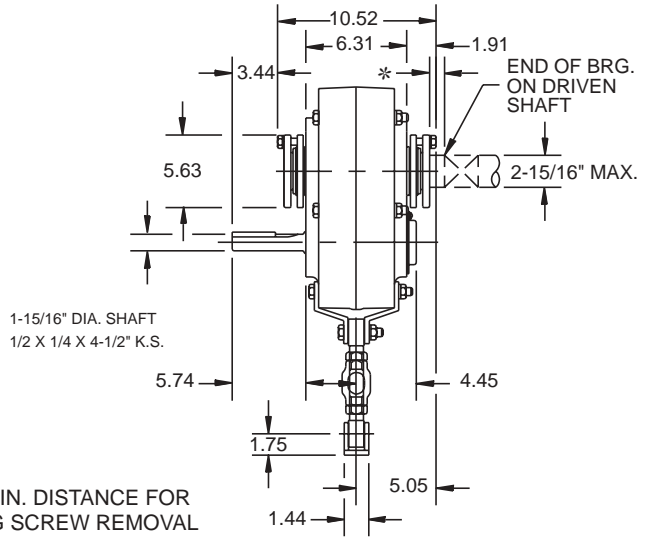
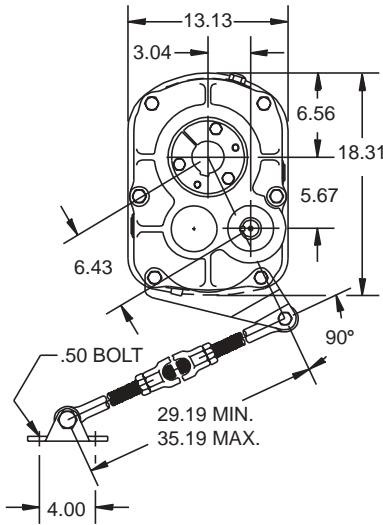
FEATURES/BENEFITS PAGE G2-3	NOMENCLATURE PAGE G2-11	SELECTION PAGE G2-13	RELATED PRODUCTS PAGE G2-152
--------------------------------	----------------------------	-------------------------	---------------------------------



# SELECTION/DIMENSIONS

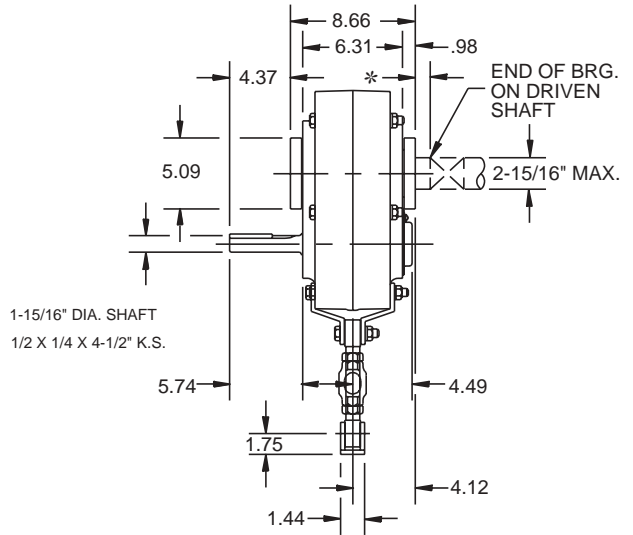
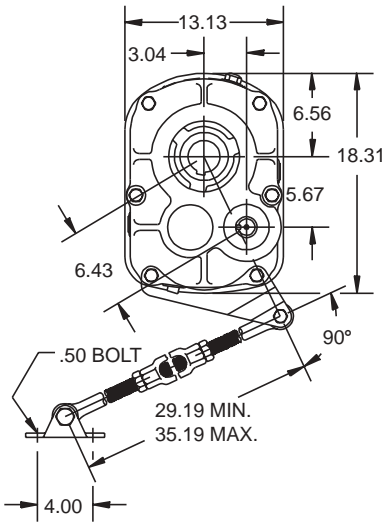


## TORQUE-ARM Shaft Mount Speed Reducers TXT5B - DOUBLE REDUCTION TAPER BUSHED



\* 1.81" MIN. DISTANCE FOR BUSHING SCREW REMOVAL

## TXT5B - DOUBLE REDUCTION STRAIGHT BORE



FEATURES/BENEFITS PAGE G2-3	NOMENCLATURE PAGE G2-11	SELECTION PAGE G2-13	RELATED PRODUCTS PAGE G2-152
--------------------------------	----------------------------	-------------------------	---------------------------------

# SELECTION/DIMENSIONS



## TORQUE-ARM Shaft Mount Speed Reducers

### TXT5B Taper Bushed Reducers ■ ○

Reducer Size	Part Number	AGMA Code	Actual Ratio	Weight
TXT509BT	245550	215D09	8.95	207
TXT515BT	245551	215D15	15.40	207
TXT525BT	245552	215D25	25.56	207

### TXT5B Straight Bore Reducers ■ ○

Reducer Size	Part Number	AGMA Code	Actual Ratio	Weight
TXT509BS	245562 ♣	215D09	8.95	207
TXT515BS	245563	215D15	15.40	207
TXT525BS	245564	215D25	25.56	207

### TXT5B Accessories

Description	Part Number	Weight
TA5M Standard Motor Mount (143T-286T)	245391	76
TA5M Special Motor Mount (324T-326T) ♣	245393	79
TA5ML Long Motor Mount (143T-286T)	245392	89
TAB5 Bottom Motor Mount (143T-326T) ♣	245405	55
TXT5B Backstop Assembly	245154	2.2
Optional Filter Breather (1/2-14 NPT)	430049	.2
TXT5-D TA Reducer Belt Guard (143T-286T)	245387	75
TXT5-D TA Reducer Belt Guard for Long Motor Mount (143T-286T) ♣	245102	90
TXT5B Cooling Fan Assembly	272369	3
TXT5B Taconite Auxiliary Seal Kit ♥	245635	11.9

### TXT5 Bushing Assemblies ●

Stock Bore Size	Part Number		Shaft Keyseat Required †		Weight	
	Tapered Bushing	Straight Bore Bushing	Tapered Bushing	Straight Bore Bushing	Tapered Bushing	Straight Bore Bushing
2-15/16 (Max.)	245112	◆	3/4 x 3/8 x 9-3/8	3/4 x 3/8 x 4-3/8	7.8	-
2-11/16	245110	245428	5/8 x 5/16 x 9-3/8	5/8 x 5/16 x 4-3/8	7.9	3
2-1/2 ▲	245099	245427	5/8 x 5/16 x 9-3/8	5/8 x 5/16 x 4-3/8	8.5	3.4
2-7/16 ▲	245094	245426	5/8 x 5/16 x 9-3/8	5/8 x 5/16 x 4-3/8	8.5	4.3
2-1/4 ▲	245092	245425	1/2 x 1/4 x 9-3/8	1/2 x 1/4 x 3	9.2	4.7
2-3/16 ▲	245090	245424	1/2 x 1/4 x 9-3/8	1/2 x 1/4 x 3	10	5.6
2 ▲	245088	245423	1/2 x 1/4 x 9-3/8	1/2 x 1/4 x 3	10.2	5.9
1-15/16 ▲	245086	245422	1/2 x 1/4 x 9-3/8	1/2 x 1/4 x 3	10.3	6.1

♣ DODGE standard belt guards will not fit this motor mount.

† Shaft key furnished.

▲ Check the driven shaft and key for strength.

◆ Preferred bore. No bushing required for this bore size.

○ Stock TXT5 Reducers are drilled for vertical mounting.

♣ Made to order.

■ See page G2-201 for reducer part numbers and drill and tap

dimensions for Flange Mount TXT Reducers. Now available only as special factory order.

● Taper Bushed Reducers require bushing for all bore sizes.

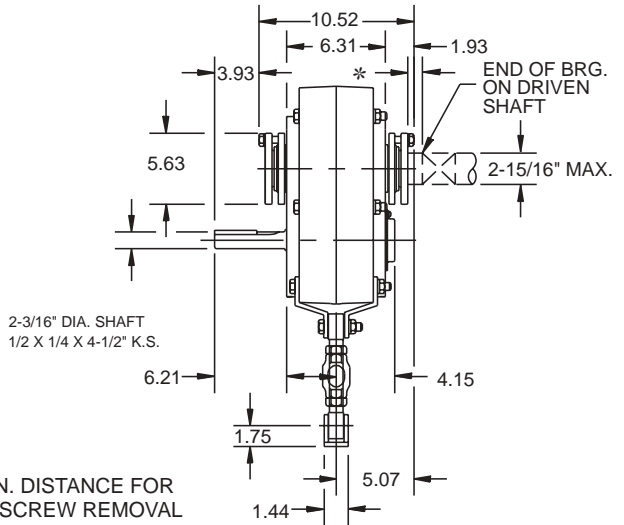
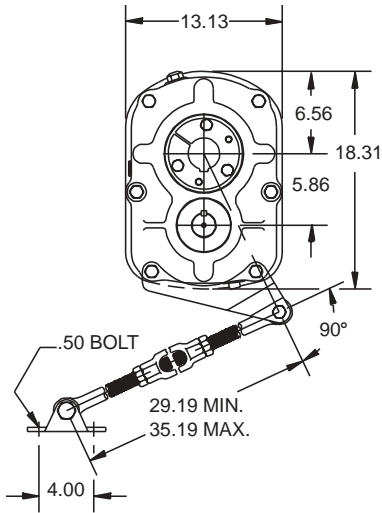
♥ Use with Taper Bushed Reducer only. See page G2-203 for drill and tap information required to mount to reducer.

FEATURES/BENEFITS PAGE G2-3	NOMENCLATURE PAGE G2-11	SELECTION PAGE G2-13	RELATED PRODUCTS PAGE G2-152
--------------------------------	----------------------------	-------------------------	---------------------------------

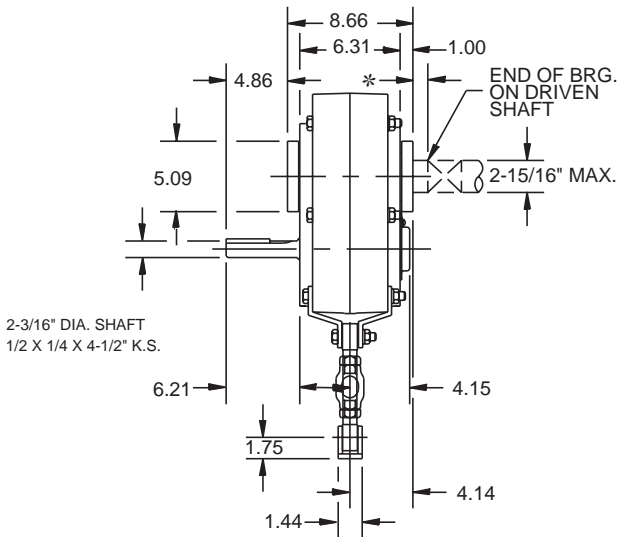
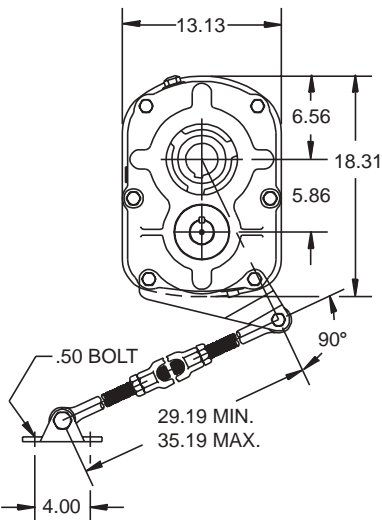


# SELECTION/DIMENSIONS

## TORQUE-ARM Shaft Mount Speed Reducers TXT505A - SINGLE REDUCTION TAPER BUSHED



## TXT505A - SINGLE REDUCTION STRAIGHT BORE



FEATURES/BENEFITS PAGE G2-3	NOMENCLATURE PAGE G2-11	SELECTION PAGE G2-13	RELATED PRODUCTS PAGE G2-152
--------------------------------	----------------------------	-------------------------	---------------------------------

# SELECTION/DIMENSIONS



## TORQUE-ARM Shaft Mount Speed Reducers

### TXT505A Taper Bushed Reducers ■ ○

Reducer Size	Part Number	AGMA Code	Actual Ratio	Weight
TXT505AT	255200	215S05	5.67	182

### TXT505A Straight Bore Reducers ■ ○

Reducer Size	Part Number	AGMA Code	Actual Ratio	Weight
TXT505AS	255204	215S05	5.67	182

### TXT505A Accessories

Description	Part Number	Weight
TA5M Standard Motor Mount (143T-286T)	245391	76
TA5M Special Motor Mount (324T-326T) †	245393	79
TA5ML Long Motor Mount (143T-286T)	245392	89
TAB5 Bottom Motor Mount (143T-326T) †	245405	55
TXT505A Backstop Assembly	246101	1.8
Optional Filter Breather (1/2-14 NPT)	430049	.2
TXT5-S TA Reducer Belt Guard (143T-286T)	245389	59
TXT5-S TA Reducer Belt Guard for Long Motor Mount (143T-286T) †	245162	90
TXT505A Cooling Fan Assembly	255231	3
TXT505A Taconite Auxiliary Seal Kit ♥	255230	12.3

### TXT5 Bushing Assemblies ●

Stock Bore Size	Part Number		Shaft Keyseat Required †		Weight	
	Tapered Bushing	Straight Bore Bushing	Tapered Bushing	Straight Bore Bushing	Tapered Bushing	Straight Bore Bushing
2-15/16 (Max.)	245112	◆	3/4 x 3/8 x 9-3/8	3/4 x 3/8 x 4-3/8	7.8	-
2-11/16	245110	245428	5/8 x 5/16 x 9-3/8	5/8 x 5/16 x 4-3/8	7.9	3
2-1/2 ▲	245099	245427	5/8 x 5/16 x 9-3/8	5/8 x 5/16 x 4-3/8	8.5	3.4
2-7/16 ▲	245094	245426	5/8 x 5/16 x 9-3/8	5/8 x 5/16 x 4-3/8	8.5	4.3
2-1/4 ▲	245092	245425	1/2 x 1/4 x 9-3/8	1/2 x 1/4 x 3	9.2	4.7
2-3/16 ▲	245090	245424	1/2 x 1/4 x 9-3/8	1/2 x 1/4 x 3	10	5.6
2 ▲	245088	245423	1/2 x 1/4 x 9-3/8	1/2 x 1/4 x 3	10.2	5.9
1-15/16 ▲	245086	245422	1/2 x 1/4 x 9-3/8	1/2 x 1/4 x 3	10.3	6.1

‡ DODGE standard belt guards will not fit this motor mount.

† Shaft key furnished.

▲ Check the driven shaft and key for strength.

◆ Preferred bore. No bushing required for this bore size.

○ Stock TXT505 Reducers are drilled for vertical mounting.

♣ Made to order.

■ See page G2-201 for reducer part numbers and drill and tap dimensions. for Flange Mount TXT Reducers. Now available only as special factory order.

● Taper Bushed Reducers require bushing for all bore sizes.

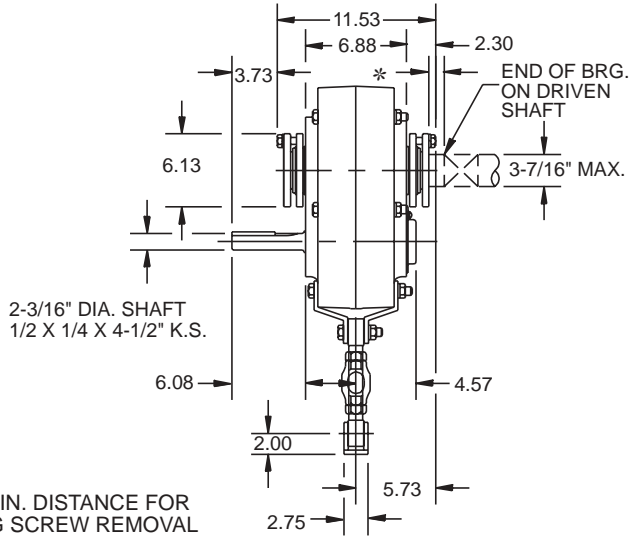
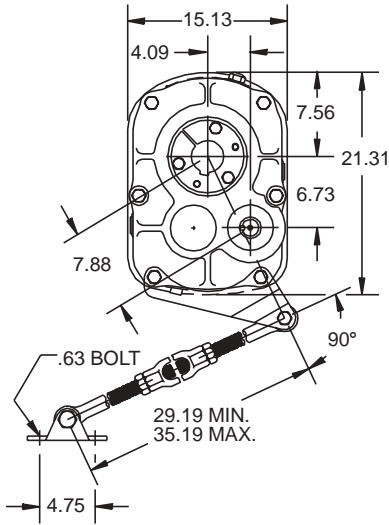
♥ Use with Taper Bushed Reducers only. See page G2-203 for drill and tap information required to mount to reducer.

FEATURES/BENEFITS PAGE G2-3	NOMENCLATURE PAGE G2-11	SELECTION PAGE G2-13	RELATED PRODUCTS PAGE G2-152
--------------------------------	----------------------------	-------------------------	---------------------------------



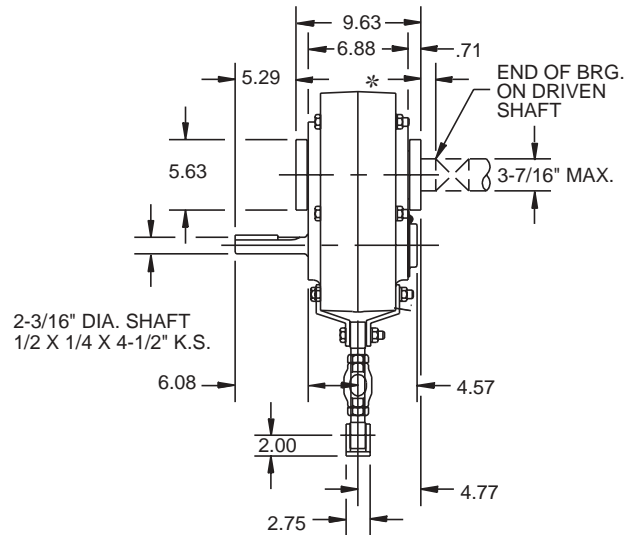
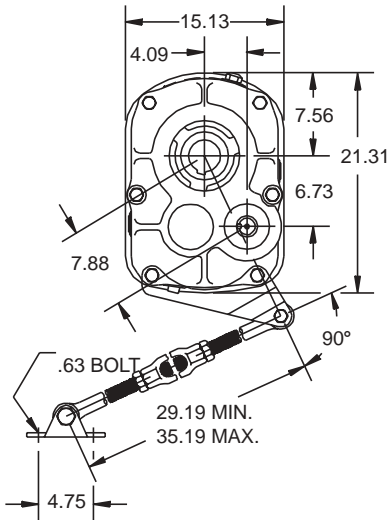
# SELECTION/DIMENSIONS

## TORQUE-ARM Shaft Mount Speed Reducers TXT6 - DOUBLE REDUCTION TAPER BUSHED



\* 1.81" MIN. DISTANCE FOR BUSHING SCREW REMOVAL

## TXT6 - DOUBLE REDUCTION STRAIGHT BORE



FEATURES/BENEFITS PAGE G2-3	NOMENCLATURE PAGE G2-11	SELECTION PAGE G2-13	RELATED PRODUCTS PAGE G2-152
--------------------------------	----------------------------	-------------------------	---------------------------------

# SELECTION/DIMENSIONS



## TORQUE-ARM Shaft Mount Speed Reducers

### TXT6 Taper Bushed Reducers ■ ○

Reducer Size	Part Number	AGMA Code	Actual Ratio	Weight
TXT609T	246149 ♣	307D09	9.20	285
TXT615T	246150	307D15	15.33	285
TXT625T	246151	307D25	25.13	285

### TXT6 Straight Bore Reducers ■ ○

Reducer Size	Part Number	AGMA Code	Actual Ratio	Weight
TXT609S	246327 ♣	307D09	9.20	285
TXT615S	246158	307D15	15.33	285
TXT625S	246159	307D25	25.13	285

### TXT6 Accessories

Description	Part Number	Weight
TA6M Standard Motor Mount (143T-326T)	246391	99
TA6M Special Motor Mount (364T) ♣ ♠	246388	110
TA6ML Long Motor Mount (143T-326T)	246390	100
TAB6 Bottom Motor Mount (182T-326T) †	246392	84
TXT6 Backstop Assembly	246092	2.5
Optional Filter Breather (1/2-14 NPT)	430049	0.2
TXT6-D TA Reducer Belt Guard (143T-326T)	246366	83
TXT6-D TA Reducer Belt Guard for Long Motor Mount (143T-326T)	246147	100
TXT6 Cooling Fan Assembly	272325	3
TXT6 Taconite Auxiliary Seal Kit ♥	272450	17.7

### TXT6 Bushing Assemblies ●

Stock Bore Size		Part Number		Shaft Keyseat Required †		Weight	
		Tapered Bushing	Straight Bore Bushing	Tapered Bushing	Straight Bore Bushing	Tapered Bushing	Straight Bore Bushing
3-7/16	(Max.)	246268	◆	7/8 x 7/16 x 10-11/16	7/8 x 7/16 x 5-7/8	9	-
3	▲	246283	246427	3/4 x 3/8 x 10-11/16	3/4 x 3/8 x 5-7/8	11.3	4.6
2-15/16	▲	246267	246426	3/4 x 3/8 x 10-11/16	3/4 x 3/8 x 5-7/8	11.6	6.7
2-7/8	▲	246266	246425	3/4 x 3/8 x 10-11/16	3/4 x 3/8 x 5-7/8	12.2	6.7
2-11/16	▲	246265	246424	5/8 x 5/16 x 10-11/16	5/8 x 5/16 x 5-7/8	12.9	6.7
2-1/2	▲	246264	246423	5/8 x 5/16 x 10-11/16	5/8 x 5/16 x 3-1/2	14	8.2
2-7/16	▲	246263	246422	5/8 x 5/16 x 10-11/16	5/8 x 5/16 x 3-1/2	14.4	8.5
2-1/4	▲	246262	246421	1/2 x 1/4 x 10-11/16	1/2 x 1/4 x 3-1/2	14.9	9.8
2-3/16	▲	246261	246420	1/2 x 1/4 x 10-11/16	1/2 x 1/4 x 3-1/2	15.3	11

♠ DODGE standard belt guards will not fit this motor mount.

† Shaft key furnished.

▲ Check the driven shaft and key for strength.

◆ Preferred bore. No bushing required for this bore size.

○ Stock TXT6 Reducers are drilled for vertical mounting.

♣ Made to order.

■ See page G2-201 for reducer part numbers and drill and tap dimensions. for Flange Mount TXT Reducers. Now available only as special factory order.

● Taper Bushed Reducers require bushing for all bore sizes.

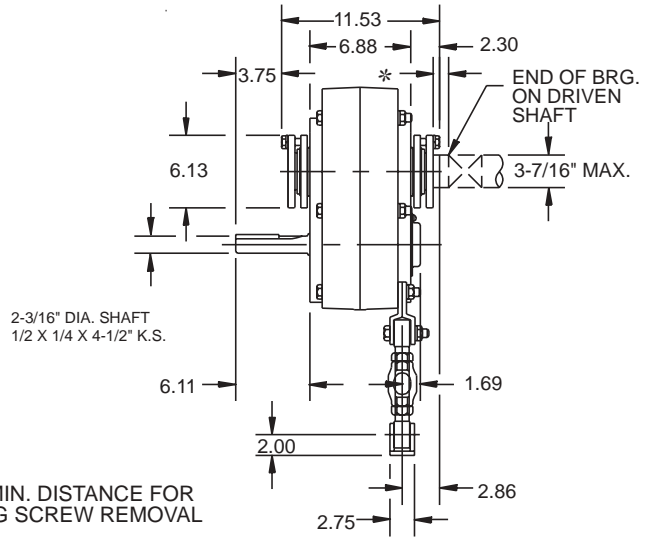
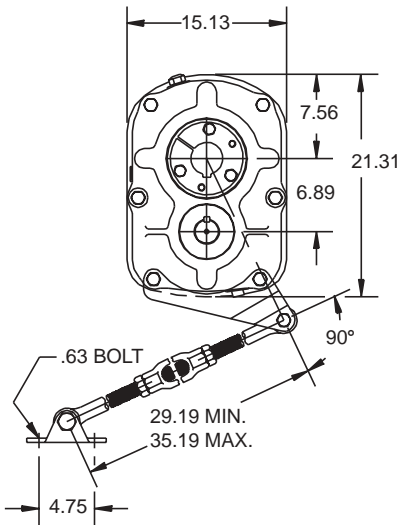
♥ Use with Taper Bushed Reducer only. See page G2-203 for drill and tap information required to mount to reducer.

FEATURES/BENEFITS PAGE G2-3	NOMENCLATURE PAGE G2-11	SELECTION PAGE G2-13	RELATED PRODUCTS PAGE G2-152
--------------------------------	----------------------------	-------------------------	---------------------------------



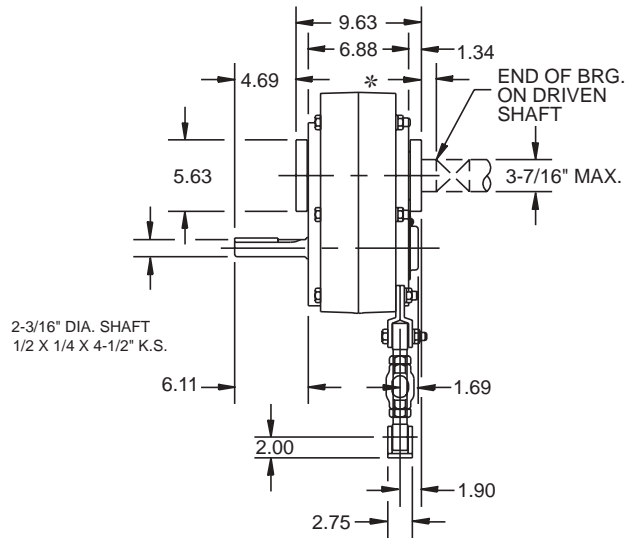
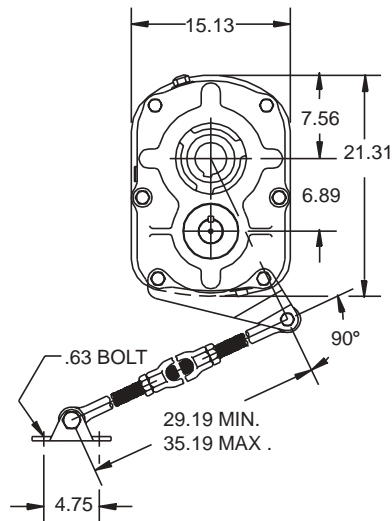
# SELECTION/DIMENSIONS

## TORQUE-ARM Shaft Mount Speed Reducers TXT605 - SINGLE REDUCTION TAPER BUSHED



\* 1.81" MIN. DISTANCE FOR BUSHING SCREW REMOVAL

## TXT605 - SINGLE REDUCTION STRAIGHT BORE



FEATURES/BENEFITS PAGE G2-3	NOMENCLATURE PAGE G2-11	SELECTION PAGE G2-13	RELATED PRODUCTS PAGE G2-152
--------------------------------	----------------------------	-------------------------	---------------------------------

# SELECTION/DIMENSIONS



## TORQUE-ARM Shaft Mount Speed Reducers

### TXT605 Taper Bushed Reducers ■ ○

Reducer Size	Part Number	AGMA Code	Actual Ratio	Weight
TXT605T	246380	307S05	5.67	251

### TXT605 Straight Bore Reducers ■ ○

Reducer Size	Part Number	AGMA Code	Actual Ratio	Weight
TXT605S	246382	307S05	5.67	251

### TXT605 Accessories

Description	Part Number	Weight
TA6M Standard Motor Mount (143T-326T)	246391	99
TA6ML Long Motor Mount (143T-326T)	246390	100
TAB6 Bottom Motor Mount (182T-326T) †	246392	84
TXT605 Backstop Assembly	246092	2.5
Optional Filter Breather (1/2-14 NPT)	430049	0.2
TXT6-S TA Reducer Belt Guard (143T-326T)	246368	95
TXT6-S TA Reducer Belt Guard for Long Motor Mount (143T-326T) †	246132	100
TXT605 Cooling Fan Assembly †	272681	3
TXT605 Taconite Auxiliary Seal Kit ♥	272450	17.7

### TXT6 Bushing Assemblies ●

Stock Bore Size	Part Number		Shaft Keyseat Required †		Weight	
	Tapered Bushing	Straight Bore Bushing	Tapered Bushing	Straight Bore Bushing	Tapered Bushing	Straight Bore Bushing
3-7/16 (Max.)	246268	◆	7/8 x 7/16 x 10-11/16	7/8 x 7/16 x 5-7/8	9	-
3 ▲	246283	246427	3/4 x 3/8 x 10-11/16	3/4 x 3/8 x 5-7/8	11.30	4.6
2-15/16 ▲	246267	246426	3/4 x 3/8 x 10-11/16	3/4 x 3/8 x 5-7/8	11.60	6.7
2-7/8 ▲	246266	246425	3/4 x 3/8 x 10-11/16	3/4 x 3/8 x 5-7/8	12.20	6.7
2-11/16 ▲	246265	246424	5/8 x 5/16 x 10-11/16	5/8 x 5/16 x 5-7/8	12.90	6.7
2-1/2 ▲	246264	246423	5/8 x 5/16 x 10-11/16	5/8 x 5/16 x 3-1/2	14	8.2
2-7/16 ▲	246263	246422	5/8 x 5/16 x 10-11/16	5/8 x 5/16 x 3-1/2	14.40	8.5
2-1/4 ▲	246262	246421	1/2 x 1/4 x 10-11/16	1/2 x 1/4 x 3-1/2	14.90	9.8
2-3/16 ▲	246261	246420	1/2 x 1/4 x 10-11/16	1/2 x 1/4 x 3-1/2	15.30	11

† DODGE standard belt guards will not fit this motor mount.

† Shaft key furnished.

▲ Check the driven shaft and key for strength.

◆ Preferred bore. No bushing required for this bore size.

○ Stock TXT605 Reducers are drilled for vertical mounting.

♣ Made to order.

■ See page G2-201 for reducer part numbers and drill and tap dimensions. for Flange Mount TXT Reducers. Now available only as special factory order.

● Taper Bushed Reducers require bushing for all bore sizes.

♥ Use with Taper Bushed Reducers only. See page G2-203 for drill and tap information required to mount to reducer.

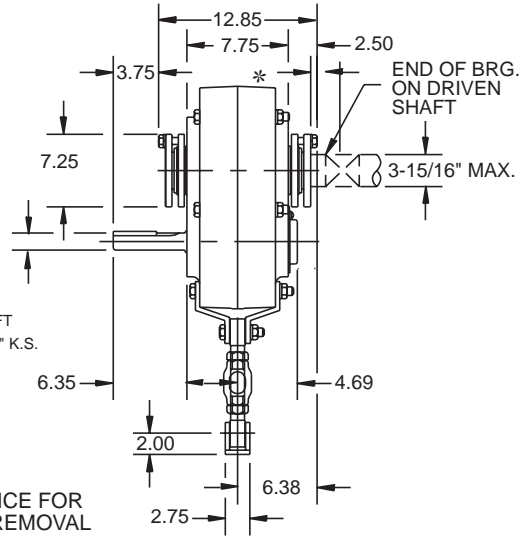
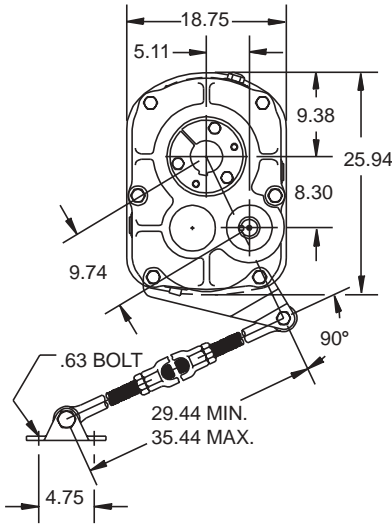
FEATURES/BENEFITS PAGE G2-3	NOMENCLATURE PAGE G2-11	SELECTION PAGE G2-13	RELATED PRODUCTS PAGE G2-152
--------------------------------	----------------------------	-------------------------	---------------------------------





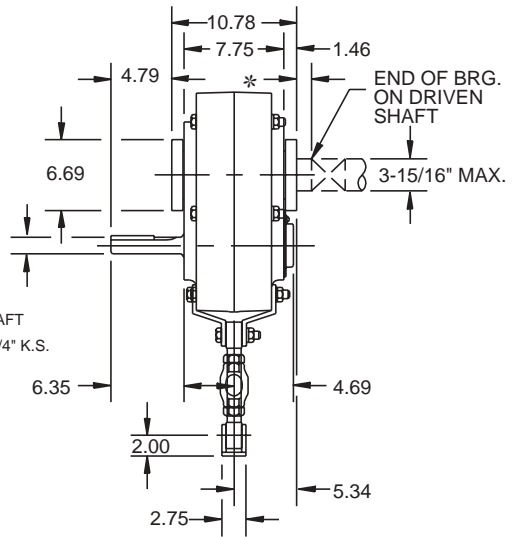
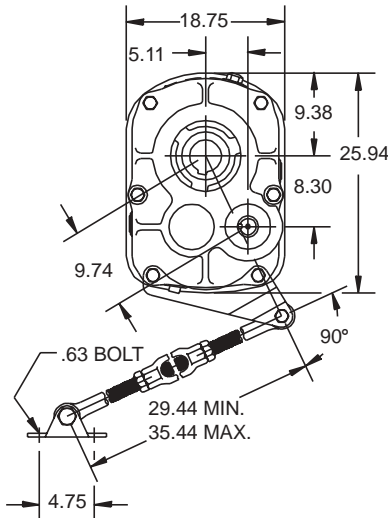
# SELECTION/DIMENSIONS

## TORQUE-ARM Shaft Mount Speed Reducers TXT7 - DOUBLE REDUCTION TAPER BUSHED



\* 2.06" MIN. DISTANCE FOR BUSHING SCREW REMOVAL

## TXT7 - DOUBLE REDUCTION STRAIGHT BORE



FEATURES/BENEFITS PAGE G2-3	NOMENCLATURE PAGE G2-11	SELECTION PAGE G2-13	RELATED PRODUCTS PAGE G2-152
--------------------------------	----------------------------	-------------------------	---------------------------------

# SELECTION/DIMENSIONS



## TORQUE-ARM Shaft Mount Speed Reducers

### TXT7 Taper Bushed Reducers ■ ○

Reducer Size	Part Number	AGMA Code	Actual Ratio	Weight
TXT709T	247159 ♣	315D09	9.61	462
TXT715T	247160	315D15	15.23	462
TXT725T	247161	315D25	24.59	462

### TXT7 Straight Bore Reducers ■ ○

Reducer Size	Part Number	AGMA Code	Actual Ratio	Weight
TXT709S	247327 ♣	315D09	9.61	462
TXT715S	247168	315D15	15.23	462
TXT725S	247169	315D25	24.59	462

### TXT7 Accessories

Description	Part Number	Weight
TA7M Standard Motor Mount (143T-365T)	247395	110
TA7ML Long Motor Mount (143T-326T)	247396	100
TAB7 Bottom Motor Mount (182T-326T) ♣	247404	105
TXT7 Backstop Assembly	247260	2.8
Optional Filter Breather (1/2-14 NPT)	430049	.2
TXT7-D TA Reducer Belt Guard (143T-365T)	247390	90
TXT7-D TA Reducer Belt Guard for Long Motor Mount (143T-365T) ♣	247152	108
TXT7 Cooling Fan Assembly	272326	6
TXT7 Taconite Auxiliary Seal Kit ♥	272451	25

### TXT7 Bushing Assemblies ●

Stock Bore Size	Part Number		Shaft Keyseat Required †		Weight	
	Tapered Bushing	Straight Bore Bushing	Tapered Bushing	Straight Bore Bushing	Tapered Bushing	Straight Bore Bushing
3-15/16 (Max.)	272136	◆	1 x 1/2 x 11-27/32	1 x 1/2 x 4-7/8	13.8	-
3-7/16	272135	247428	7/8 x 7/16 x 11-27/32	7/8 x 7/16 x 6-3/8	16.9	7.8
3-3/16 ▲	272134	247427	3/4 x 3/8 x 11-27/32	3/4 x 3/8 x 6-3/8	19.2	9
3 ▲	272133	247426	3/4 x 3/8 x 11-27/32	3/4 x 3/8 x 6-3/8	20.1	10.1
2-15/16 ▲	272132	247425	3/4 x 3/8 x 11-27/32	3/4 x 3/8 x 4-7/8	21.3	10.1
2-11/16 ▲	272147	247422	5/8 x 5/16 x 11-27/32	5/8 x 5/16 x 3-1/2	23	14
2-7/16 ▲	272125	247420	5/8 x 5/16 x 11-27/32	5/8 x 5/16 x 3-1/2	24.2	14.2

♣ DODGE standard belt guards will not fit this motor mount.

† Shaft key furnished.

▲ Check the driven shaft and key for strength.

◆ Preferred bore. No bushing required for this bore size.

○ Stock TXT7 Reducers are drilled for vertical mounting.

♣ Made to order.

■ See page G2-201 for reducer part numbers and drill and tap dimensions. For Flange Mount TXT Reducers. Now available only as special factory order.

● Taper Bushed Reducers require bushing for all bore sizes.

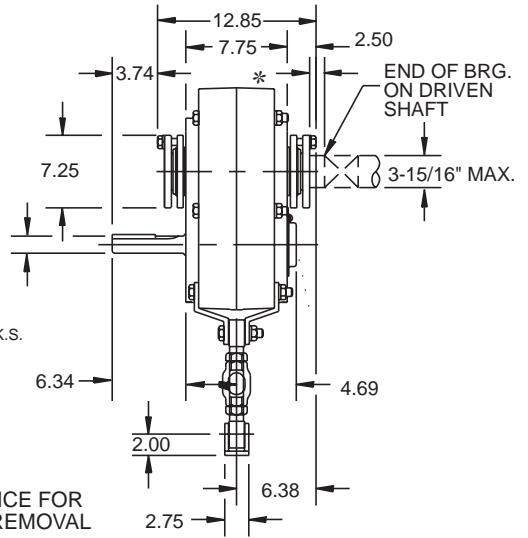
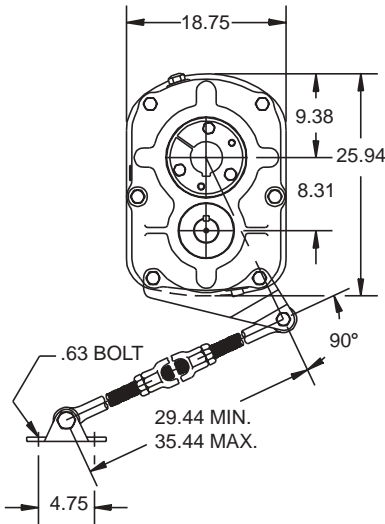
♥ Use with Taper Bushed Reducers only. See page G2-203 for drill and tap information required to mount to reducer.

FEATURES/BENEFITS PAGE G2-3	NOMENCLATURE PAGE G2-11	SELECTION PAGE G2-13	RELATED PRODUCTS PAGE G2-152
--------------------------------	----------------------------	-------------------------	---------------------------------

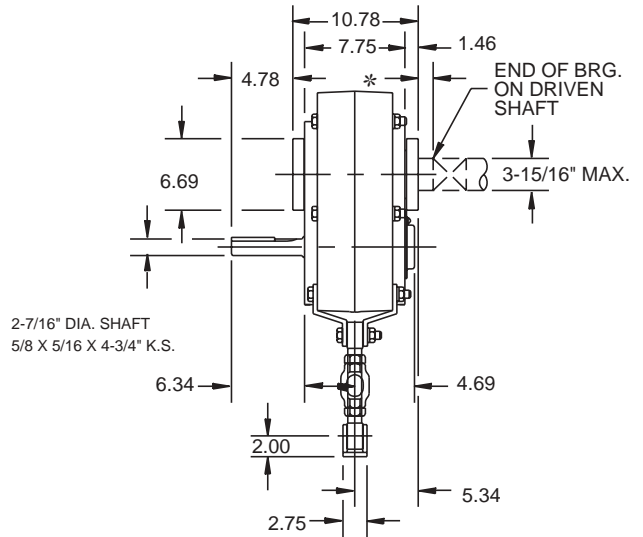
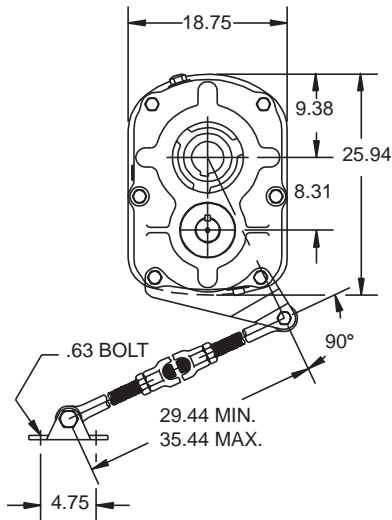


# SELECTION/DIMENSIONS

## TORQUE-ARM Shaft Mount Speed Reducers TXT705 - SINGLE REDUCTION TAPER BUSHED



## TXT705 - SINGLE REDUCTION STRAIGHT BORE



FEATURES/BENEFITS PAGE G2-3	NOMENCLATURE PAGE G2-11	SELECTION PAGE G2-13	RELATED PRODUCTS PAGE G2-152
--------------------------------	----------------------------	-------------------------	---------------------------------

# SELECTION/DIMENSIONS



## TORQUE-ARM Shaft Mount Speed Reducers

### TXT705 Taper Bushed Reducers ■ ○

Reducer Size	Part Number	AGMA Code	Actual Ratio	Weight
TXT705T	247285	315S05	5.36	410

### TXT705 Straight Bore Reducers ■ ○

Reducer Size	Part Number	AGMA Code	Actual Ratio	Weight
TXT705S	247287	315S05	5.36	410

### TXT705 Accessories

Description	Part Number	Weight
TA7M Standard Motor Mount (143T-365T)	247395	110
TA7ML Long Motor Mount (143T-326T)	247396	100
TAB7 Bottom Motor Mount (182T-326T) ♣	247404	105
TXT705 Backstop Assembly	247260	2.80
Optional Filter Breather (1/2-14 NPT)	430049	0.20
TXT7-S TA Reducer Belt Guard (143T-365T)	247392	112
TXT7-S TA Reducer Belt Guard for Long Motor Mount (143T-365T) ♣	247146	135
TXT705 Cooling Fan Assembly ♣	272685	6
TXT705 Taconite Auxilliary Seal Kit ♥	272451	25

### TXT7 Bushing Assemblies ●

Stock Bore Size	Part Number		Shaft Keyseat Required †		Weight	
	Tapered Bushing	Straight Bore Bushing	Tapered Bushing	Straight Bore Bushing	Tapered Bushing	Straight Bore Bushing
3-15/16 (Max.)	272136	◆	1 x 1/2 x 11-27/32	1 x 1/2 x 4-7/8	13.8	-
3-7/16	272135	247428	7/8 x 7/16 x 11-27/32	7/8 x 7/16 x 6-3/8	16.9	7.8
3-3/16 ▲	272134	247427	3/4 x 3/8 x 11-27/32	3/4 x 3/8 x 6-3/8	19.2	9
3 ▲	272133	247426	3/4 x 3/8 x 11-27/32	3/4 x 3/8 x 6-3/8	20.1	10.1
2-15/16 ▲	272132	247425	3/4 x 3/8 x 11-27/32	3/4 x 3/8 x 4-7/8	21.3	10.1
2-11/16 ▲	272147	247422	5/8 x 5/16 x 11-27/32	5/8 x 5/16 x 3-1/2	23	14
2-7/16 ▲	272125	247420	5/8 x 5/16 x 11-27/32	5/8 x 5/16 x 3-1/2	24.2	14.2

♣ DODGE standard belt guards will not fit this motor mount.

† Shaft key furnished.

▲ Check the driven shaft and key for strength.

◆ Preferred bore. No bushing required for this bore size.

○ Stock TXT705 Reducers are drilled for vertical mounting.

♣ Made to order.

■ See page G2-201 for reducer part numbers and drill and tap dimensions. for Flange Mount TXT Reducers. Now available only as special factory order.

● Taper Bushed Reducers require bushing for all bore sizes.

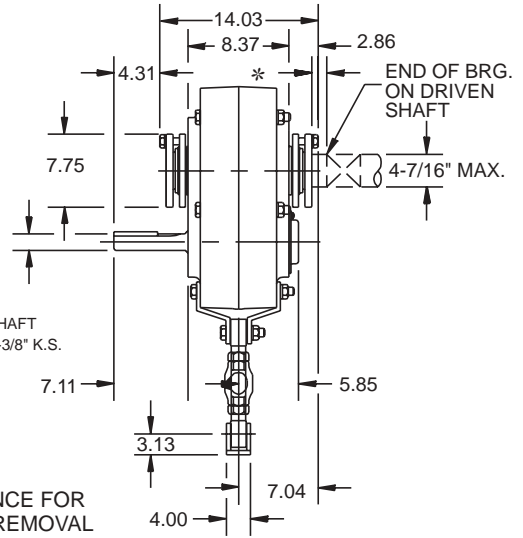
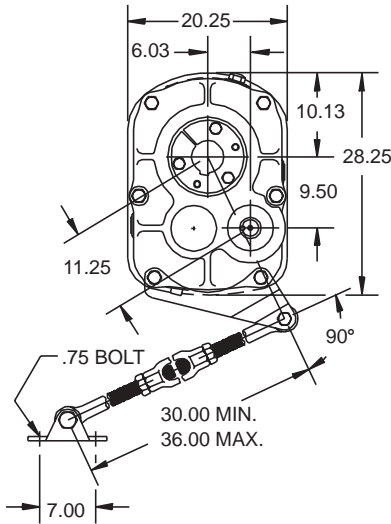
♥ Use with Taper Bushed Reducer only. See page G2-203 for drill and tap information required to mount to reducer.

FEATURES/BENEFITS PAGE G2-3	NOMENCLATURE PAGE G2-11	SELECTION PAGE G2-13	RELATED PRODUCTS PAGE G2-152
--------------------------------	----------------------------	-------------------------	---------------------------------

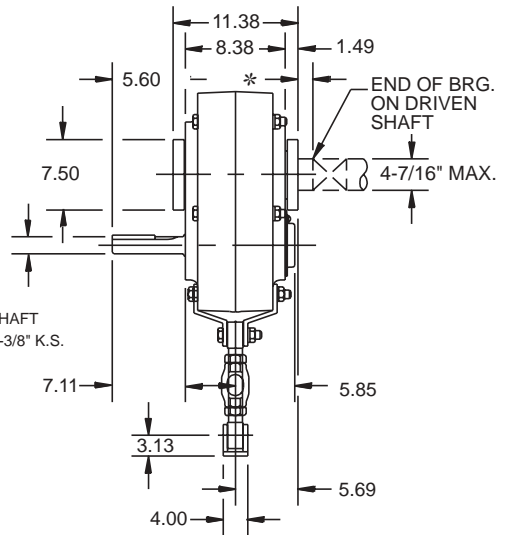
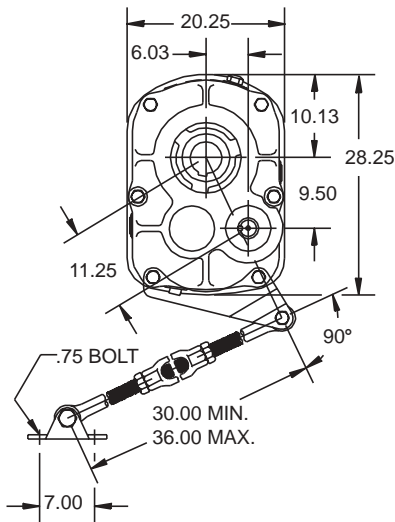


# SELECTION/DIMENSIONS

## TORQUE-ARM Shaft Mount Speed Reducers TXT8 - DOUBLE REDUCTION TAPER BUSHED



## TXT8 - DOUBLE REDUCTION STRAIGHT BORE



FEATURES/BENEFITS PAGE G2-3	NOMENCLATURE PAGE G2-11	SELECTION PAGE G2-13	RELATED PRODUCTS PAGE G2-152
--------------------------------	----------------------------	-------------------------	---------------------------------

# SELECTION/DIMENSIONS



## TORQUE-ARM Shaft Mount Speed Reducers

### TXT8 Taper Bushed Reducers ■ ○

Reducer Size	Part Number	AGMA Code	Actual Ratio	Weight
TXT815T	248279	407D15	15.08	633
TXT825T	248280	407D25	24.62	633

### TXT8 Straight Bore Reducers ■ ○

Reducer Size	Part Number	AGMA Code	Actual Ratio	Weight
TXT815S	248283	407D15	15.08	633
TXT825S	248284	407D25	24.62	633

### TXT8 Bushing Assemblies ●

Stock Bore Size	Part Number		Shaft Keyseat Required †		Weight	
	Tapered Bushing	Straight Bore Bushing	Tapered Bushing	Straight Bore Bushing	Tapered Bushing	Straight Bore Bushing
4-7/16 (Max.)	272035	◆	1 x 1/2 x 13-1/16	1 x 1/2 x 6-7/8	15	-
4-3/16	272034	248424	1 x 1/2 x 13-1/16	1 x 1/2 x 6-7/8	17	6.8
3-15/16	272033	248423	1 x 1/2 x 13-1/16	1 x 1/2 x 6-7/8	20	8
3-7/16 ▲	272032	248422	7/8 x 7/16 x 13-1/16	7/8 x 7/16 x 6-7/8	25	12
2-15/16 ▲	272048	248420	3/4 x 3/8 x 13-1/16	3/4 x 3/8 x 4-3/8	29	19

◆ DODGE standard belt guards will not fit this motor mount.

† Shaft key furnished.

▲ Check the driven shaft and key for strength.

◆ Preferred bore. No bushing required for this bore size.

○ Stock TXT8 Reducers are drilled for vertical mounting.

♣ Made to order.

### TXT8 Accessories

Description	Part Number	Weight
TA8 Standard Motor Mount (213T-365T)	248401	119
TAB8 Bottom Motor Mount (213T-365T) ♠	248406	120
TXT8 Backstop Assembly	249260	3.8
Optional Filter Breather (1/2-14 NPT)	430049	.2
TXT8-D TA Reducer Belt Guard (213T-365T)	248395	107
TXT8 Cooling Fan Assembly	272327	9
TXT8 Taconite Auxiliary Seal Kit ♥	272452	26.3

■ See page G2-201 for reducer part numbers and drill and tap dimensions. for Flange Mount TXT Reducers. Now available only as special factory order.

● Taper Bushed Reducers require bushing for all bore sizes.

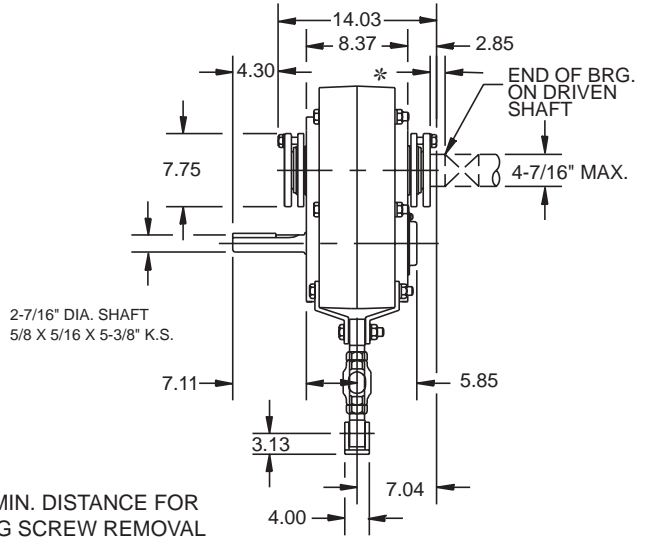
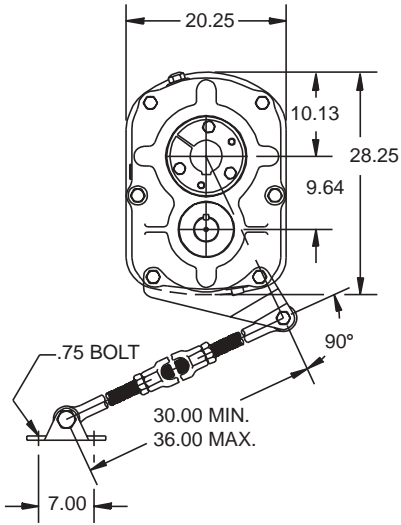
♥ Use with Taper Bushed Reducers only. See page G2-203 for drill and tap information required to mount to reducer.

FEATURES/BENEFITS PAGE G2-3	NOMENCLATURE PAGE G2-11	SELECTION PAGE G2-13	RELATED PRODUCTS PAGE G2-152
--------------------------------	----------------------------	-------------------------	---------------------------------

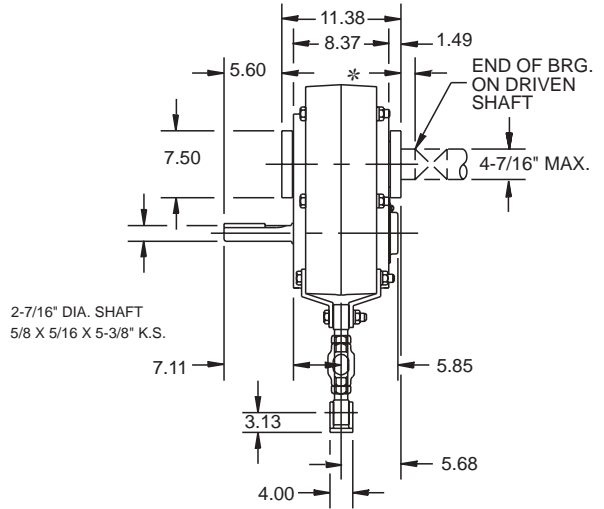
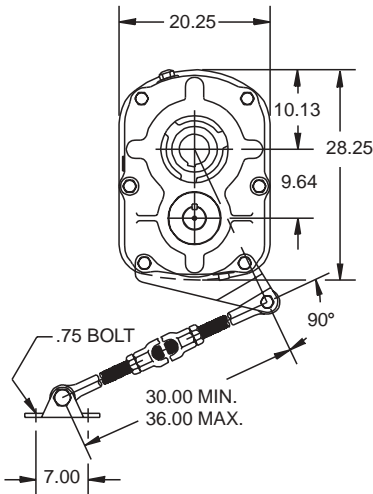


# SELECTION/DIMENSIONS

## TORQUE-ARM Shaft Mount Speed Reducers TXT805 - SINGLE REDUCTION TAPER BUSHED



## TXT805 - SINGLE REDUCTION STRAIGHT BORE



FEATURES/BENEFITS PAGE G2-3	NOMENCLATURE PAGE G2-11	SELECTION PAGE G2-13	RELATED PRODUCTS PAGE G2-152
--------------------------------	----------------------------	-------------------------	---------------------------------

# SELECTION/DIMENSIONS



## TORQUE-ARM Shaft Mount Speed Reducers

### TXT805 Taper Bushed Reducers ■ ○

Reducer Size	Part Number	AGMA Code	Actual Ratio	Weight
TXT805T	248275	407S05	5.50	557

### TXT805 Straight Bore Reducers ■ ○

Reducer Size	Part Number	AGMA Code	Actual Ratio	Weight
TXT805S	248277	407S05	5.50	557

### TXT805 Accessories

Description	Part Number	Weight
TA8 Standard Motor Mount (254T-365T)	248401	119
TAB8 Bottom Motor Mount (213T-365T) †	248406	120
TXT805 Backstop Assembly	250260	5.6
Optional Filter Breather (1/2-14 NPT)	430049	.2
TXT8-S TA Reducer Belt Guard (213T-365T)	248397	125
TXT8 Cooling Fan Assembly	272327	9
TXT8 Taconite Auxiliary Seal Kit ♥	272452	26.3

### TXT8 Bushing Assemblies ●

Stock Bore Size	Part Number		Shaft Keyseat Required †		Weight	
	Tapered Bushing	Straight Bore Bushing	Tapered Bushing	Straight Bore Bushing	Tapered Bushing	Straight Bore Bushing
4-7/16 (Max.)	272035	◆	1 x 1/2 x 13-1/16	1 x 1/2 x 6-7/8	15	-
4-3/16	272034	248424	1 x 1/2 x 13-1/16	1 x 1/2 x 6-7/8	17	6.80
3-15/16	272033	248423	1 x 1/2 x 13-1/16	1 x 1/2 x 6-7/8	20	8
3-7/16 ▲	272032	248422	7/8 x 7/16 x 13-1/16	7/8 x 7/16 x 6-7/8	25	12
2-15/16 ▲	272048	248420	3/4 x 3/8 x 13-1/16	3/4 x 3/8 x 4-3/8	29	19

‡ DODGE standard belt guards will not fit this motor mount.

† Shaft key furnished.

▲ Check the driven shaft and key for strength.

◆ Preferred bore. No bushing required for this bore size.

○ Stock TXT805 Reducers are drilled for vertical mounting.

♣ Made to order.

■ See page G2-201 for reducer part numbers and drill and tap dimensions. for Flange Mount TXT Reducers. Now available only as special factory order.

● Taper Bushed Reducers require bushing for all bore sizes.

♥ Use with Taper Bushed Reducer only. See page G2-203 for drill and tap information required to mount to reducer.

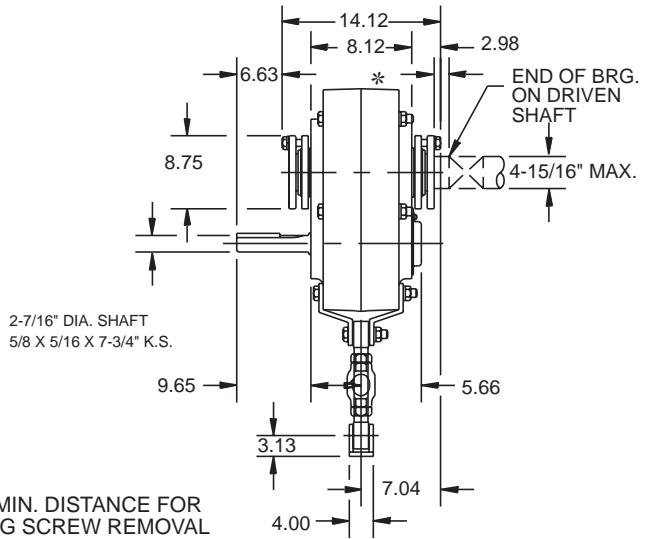
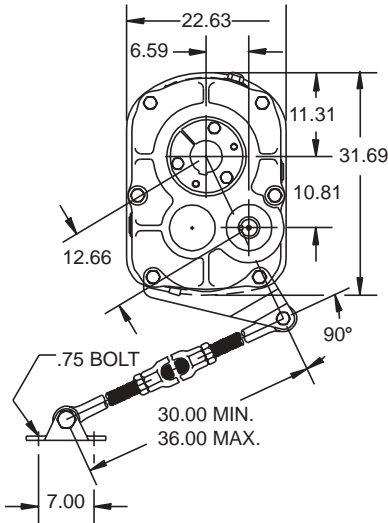
FEATURES/BENEFITS PAGE G2-3	NOMENCLATURE PAGE G2-11	SELECTION PAGE G2-13	RELATED PRODUCTS PAGE G2-152
--------------------------------	----------------------------	-------------------------	---------------------------------





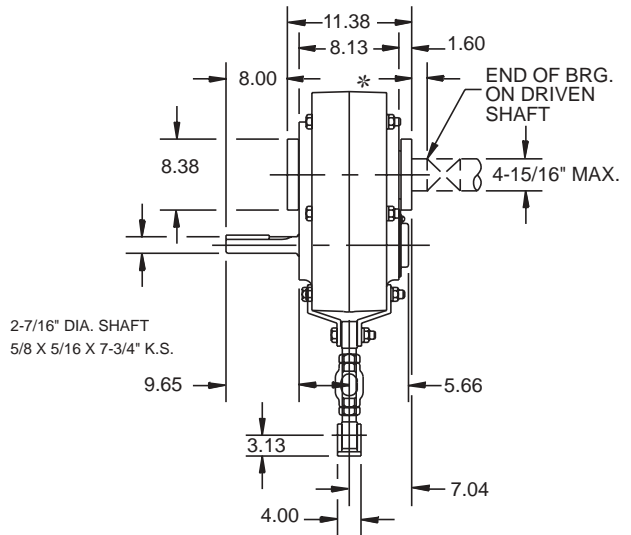
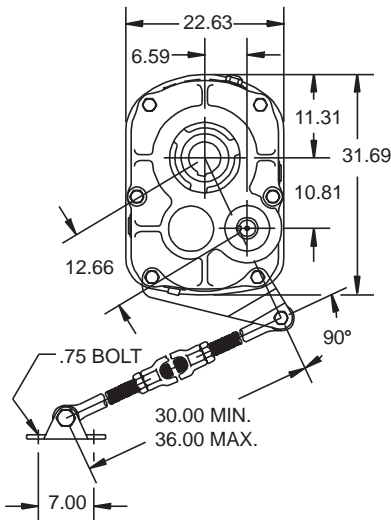
# SELECTION/DIMENSIONS

## TORQUE-ARM Shaft Mount Speed Reducers TXT9 - DOUBLE REDUCTION TAPER BUSHED



\* 2.44" MIN. DISTANCE FOR BUSHING SCREW REMOVAL

## TXT9 - DOUBLE REDUCTION STRAIGHT BORE



FEATURES/BENEFITS PAGE G2-3	NOMENCLATURE PAGE G2-11	SELECTION PAGE G2-13	RELATED PRODUCTS PAGE G2-152
--------------------------------	----------------------------	-------------------------	---------------------------------

# SELECTION/DIMENSIONS



## TORQUE-ARM Shaft Mount Speed Reducers

### TXT9 Taper Bushed Reducers ■ ○

Reducer Size	Part Number	AGMA Code	Actual Ratio	Weight
TXT915T	249269	415D15	15.12	760
TXT926T	249270	415D26	25.66	760

### TXT9 Straight Bore Reducers ■ ○

Reducer Size	Part Number	AGMA Code	Actual Ratio	Weight
TXT915S	249273	415D15	15.12	760
TXT926S	249274	415D26	25.66	760

### TXT9 Bushing Assemblies ●

Stock Bore Size	Part Number		Shaft Keyseat Required †		Weight	
	Tapered Bushing	Straight Bore Bushing	Tapered Bushing	Straight Bore Bushing	Tapered Bushing	Straight Bore Bushing
4-15/16 (Max.)	272080	◆	1-1/4 x 5/8 x 12-15/16	1-1/4 x 5/8 x 11-3/8	22	-
4-7/16	272079	249422	1 x 1/2 x 12-15/16	1 x 1/2 x 11-3/8	27	12.5
3-15/16 ▲	272077	249421	1 x 1/2 x 12-15/16	1 x 1/2 x 11-3/8	32.4	26
3-7/16 ▲	272056	249420	7/8 x 7/16 x 12-15/16	7/8 x 7/16 x 5	36	28

- ♣ DODGE standard belt guards will not fit this motor mount.
- † Shaft key furnished.
- ▲ Check the driven shaft and key for strength.
- ◆ Preferred bore. No bushing required for this bore size.
- Stock TXT9 Reducers are drilled for vertical mounting.
- ♣ Made to order.

- See page G2-201 for reducer part numbers and drill and tap dimensions. for Flange Mount TXT Reducers. Now available only as special factory order.
- Taper Bushed Reducers require bushing for all bore sizes.
- ♥ Use with Taper Bushed Reducder only. See page G2-203 for drill and tap information required to mount to reducer.

### TXT9 Accessories

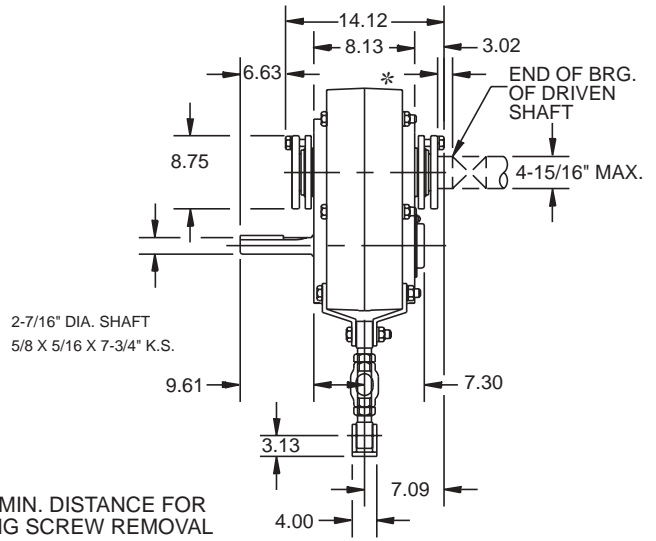
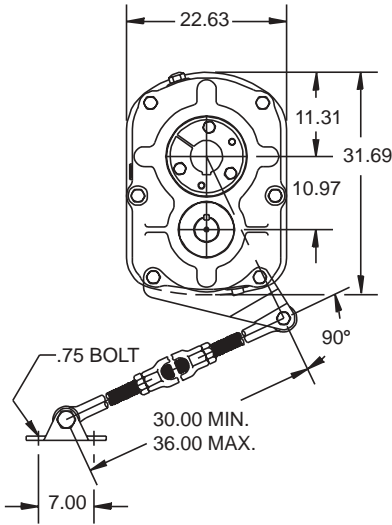
Description	Part Number	Weight
TA9 Standard Motor Mount (213T-365T)	249401	120
TA9 Special Motor Mount (404T-405T) ♣ ♣	249399	125
TAB9 Bottom Motor Mount (213T-365T) ♣	249404	125
TXT9 Backstop Assembly	249260	3.8
Optional Filter Breather (1/2-14 NPT)	430049	.2
TXT9-D TA Reducer Belt Guard (213T-365T)	249395	125
TXT9 Cooling Fan Assembly	272328	15
TXT9 Taconite Auxiliary Seal Kit ♥	272453	32.6

FEATURES/BENEFITS PAGE G2-3	NOMENCLATURE PAGE G2-11	SELECTION PAGE G2-13	RELATED PRODUCTS PAGE G2-152
--------------------------------	----------------------------	-------------------------	---------------------------------

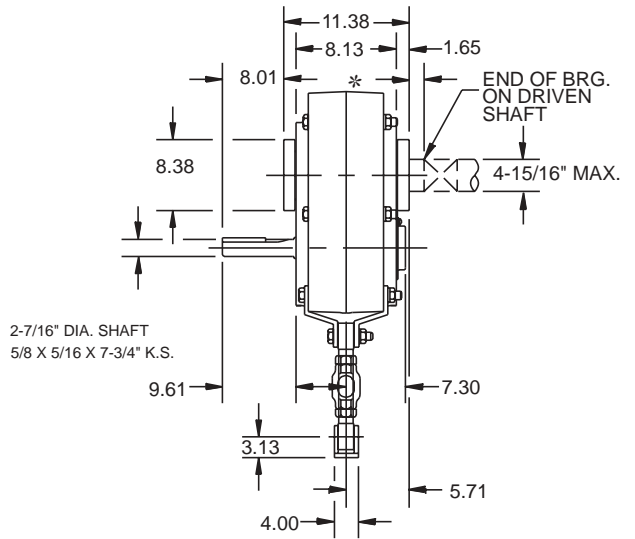
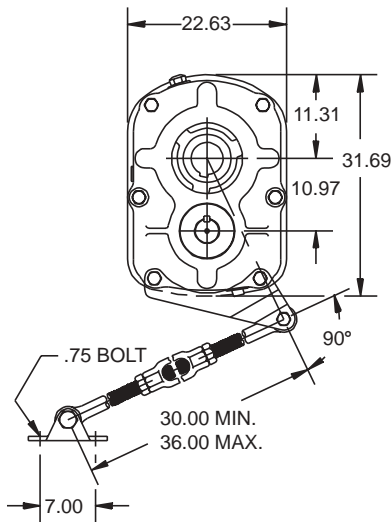


# SELECTION/DIMENSIONS

## TORQUE-ARM Shaft Mount Speed Reducers TXT905 - SINGLE REDUCTION TAPER BUSHED



## TXT905 - SINGLE REDUCTION STRAIGHT BORE



FEATURES/BENEFITS PAGE G2-3	NOMENCLATURE PAGE G2-11	SELECTION PAGE G2-13	RELATED PRODUCTS PAGE G2-152
--------------------------------	----------------------------	-------------------------	---------------------------------

# SELECTION/DIMENSIONS



## TORQUE-ARM Shaft Mount Speed Reducers

### TXT905 Taper Bushed Reducers ■ ○

Reducer Size	Part Number	AGMA Code	Actual Ratio	Weight
TXT905T	249265	415S05	5.38	668

### TXT905 Straight Bore Reducers ■ ○

Reducer Size	Part Number	AGMA Code	Actual Ratio	Weight
TXT905S	249267	415S05	5.38	668

### TXT905 Accessories

Description	Part Number	Weight
TA9 Standard Motor Mount (284T-365T)	249401	120
TA9 Special Motor Mount (404T-445T) ♣ ♠	249399	125
TAB9 Bottom Motor Mount (213T-365T) ♠	249404	125
TXT905 Backstop Assembly	272259	6.7
Optional Filter Breather (1/2-14 NPT)	430049	.2
TXT9-S TA Reducer Belt Guard (213T-365T)	249397	156
TXT905 Cooling Fan Assembly ♣	272324	15
TXT9 Taconite Auxiliary Seal Kit ♥	272453	32.6

### TXT9 Bushing Assemblies ●

Stock Bore Size	Part Number		Shaft Keyseat Required †		Weight	
	Tapered Bushing	Straight Bore Bushing	Tapered Bushing	Straight Bore Bushing	Tapered Bushing	Straight Bore Bushing
4-15/16 (Max.)	272080	◆	1-1/4 x 5/8 x 12-15/16	1-1/4 x 5/8 x 11-3/8	22	-
4-7/16	272079	249422	1 x 1/2 x 12-15/16	1 x 1/2 x 11-3/8	27	12.5
3-15/16 ▲	272077	249421	1 x 1/2 x 12-15/16	1 x 1/2 x 11-3/8	32.4	26
3-7/16 ▲	272056	249420	7/8 x 7/16 x 12-15/16	7/8 x 7/16 x 5	36	28

- ♠ DODGE standard belt guards will not fit this motor mount.
- † Shaft key furnished.
- ▲ Check the driven shaft and key for strength.
- ◆ Preferred bore. No bushing required for this bore size.
- Stock TXT905 Reducers are drilled for vertical mounting.
- ♣ Made to order.

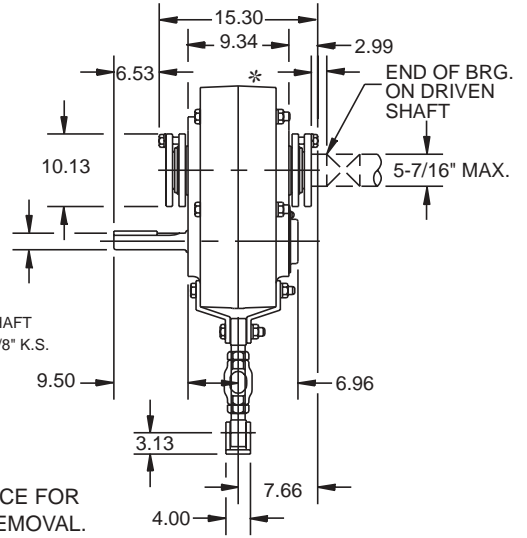
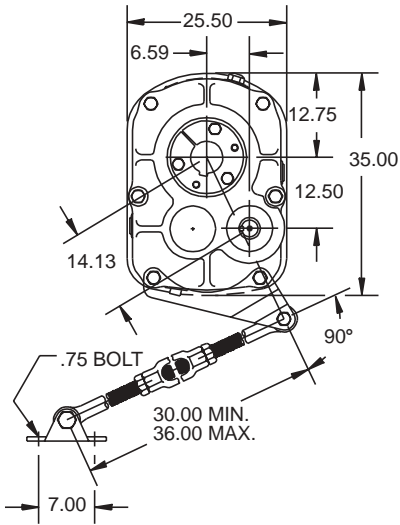
- See page G2-201 for reducer part numbers and drill and tap dimensions. for Flange Mount TXT Reducers. Now available only as special factory order.
- Taper Bushed Reducers require bushing for all bore sizes.
- ♥ Use with Taper Bushed Reducder only. See page G2-203 for drill and tap information required to mount to reducer.

FEATURES/BENEFITS PAGE G2-3	NOMENCLATURE PAGE G2-11	SELECTION PAGE G2-13	RELATED PRODUCTS PAGE G2-152
--------------------------------	----------------------------	-------------------------	---------------------------------

# SELECTION/DIMENSIONS



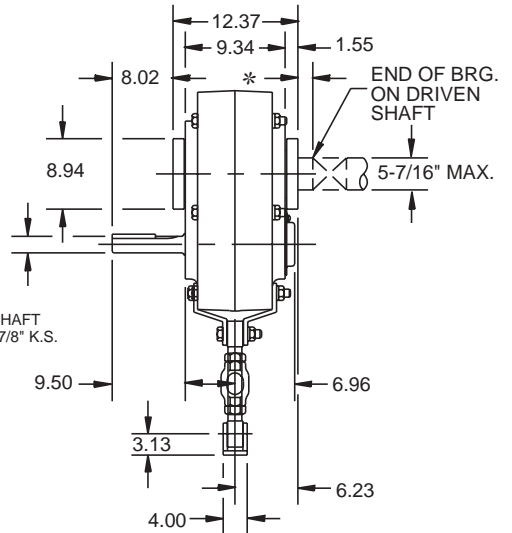
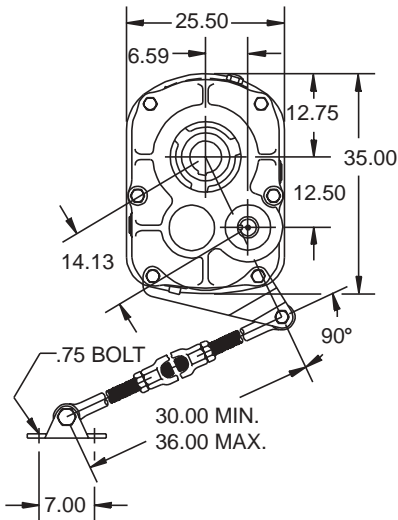
## TORQUE-ARM Shaft Mount Speed Reducers TXT10 - DOUBLE REDUCTION TAPER BUSHED



2-11/16" DIA. SHAFT  
5/8 X 5/16 X 7-7/8" K.S.

\* 2.44" MIN. DISTANCE FOR  
BUSHING SCREW REMOVAL.

## TXT10 - DOUBLE REDUCTION STRAIGHT BORE



2-11/16" DIA. SHAFT  
5/8 X 5/16 X 7-7/8" K.S.

FEATURES/BENEFITS PAGE G2-3	NOMENCLATURE PAGE G2-11	SELECTION PAGE G2-13	RELATED PRODUCTS PAGE G2-152
--------------------------------	----------------------------	-------------------------	---------------------------------



## TORQUE-ARM Shaft Mount Speed Reducers

### TXT10 Taper Bushed Reducers ■ ○

Reducer Size	Part Number	AGMA Code	Actual Ratio	Weight
TXT1015T	272600	507D15	15.16	1020
TXT1024T	272601	507D24	24.30	1020

### TXT10 Straight Bore Reducers ■ ○

Reducer Size	Part Number	AGMA Code	Actual Ratio	Weight
TXT1015S	272604	507D15	15.16	1020
TXT1024S	272605	507D24	24.30	1020

### TXT10 Bushing Assemblies ●

Stock Bore Size	Part Number		Shaft Keyseat Required †		Weight	
	Tapered Bushing	Straight Bore Bushing	Tapered Bushing	Straight Bore Bushing	Tapered Bushing	Straight Bore Bushing
5-7/16 (Max.)	272240	◆	1-1/4 x 5/8 x 14-1/16	1-1/4 x 5/8 x 12-3/8	26.50	-
4-15/16	272239	250422	1-1/4 x 5/8 x 14-1/16	1-1/4 x 5/8 x 12-3/8	33.50	12.90
4-7/16 ▲	272238	250421	1 x 1/2 x 14-1/16	1 x 1/2 x 12-3/8	38.40	31.40
3-15/16 ▲	272214	250420	1 x 1/2 x 14-1/16	1 x 1/2 x 6-5/8	44	33

♣ DODGE standard belt guards will not fit this motor mount.

† Shaft key furnished.

▲ Check the driven shaft and key for strength.

◆ Preferred bore. No bushing required for this bore size.

○ Stock TXT10 Reducers are drilled for vertical mounting.

♣ Made to order.

### TXT10 Accessories

Description	Part Number	Weight
TA10 Standard Motor Mount (254T-365T)	250401	130
TA10 Special Motor Mount (404T-445T)	250404	150
TAB10 Bottom Motor Mount (254T-365T) ♣	250411	150
TXT10 Backstop Assembly	250260	5.60
Optional Filter Breather (1/2-14 NPT)	430049	0.20
TXT10-D TA Reducer Belt Guard (254T-445T)	250395	140
TXT10 Cooling Fan Assembly	272329	15
TXT10 Taconite Auxiliary Seal Kit ♥	272454	35.80

■ See page G2-201 for reducer part numbers and drill and tap dimensions. for Flange Mount TXT Reducers. Now available only as special factory order.

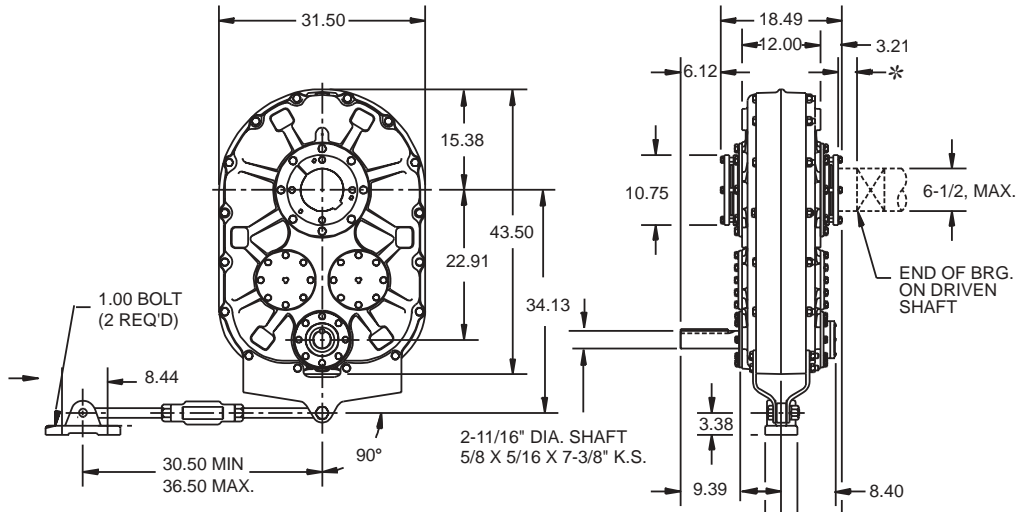
● Taper Bushed Reducers require bushing for all bore sizes.

♥ Use with Taper Bushed Reducers only. See page G2-203 for drill and tap information required to mount to reducer.



# SELECTION/DIMENSIONS

## TORQUE-ARM Shaft Mount Speed Reducers TXT12 - DOUBLE REDUCTION TAPER BUSHED



### TXT12 Taper Bushed Reducers

Reducer Size	Part Number	AGMA Code	Actual Ratio	Weight
TXT1215TV	272615 ♣	608D15	14.89	1870
TXT1225TV	272617	608D25	24.65	1870

### TXT12 Accessories

Description	Part Number	Weight
TA12 Standard Motor Mount (286T-445T)	272310	255
TXT12 Backstop Assembly	250260	5.6
Optional Filter Breather (1/2-14 NPT) ♣	430049	.2
TXT12 Cooling Fan Assembly	272330	15
Heat Exchanger Cooling Package	014148	55
TXT12 Taconite Auxiliary Seal Kit	272455	67.8
TXT12-D TA Reducer Belt Guard (320T-445T)	272688 ♣	170

### TXT12 Tapered Bushing Assemblies ●

Stock Bore Size	Part Number	Shaft Keyseat Required †	Weight
6-1/2 (Max.)	272219	1-1/2 x 3/4 x 17-5/16	37.4
6-7/16	272218	1-1/2 x 3/4 x 17-5/16	38.4
6	272217	1-1/2 x 3/4 x 17-5/16	46.2
5-15/16	272216	1-1/2 x 3/4 x 17-5/16	47.3
5-7/16 ▲	272215	1-1/4 x 5/8 x 17-5/16	53.1

♣ DODGE standard belt guards will not fit this motor mount.

† Shaft key furnished.

▲ Check the driven shaft and key for strength.

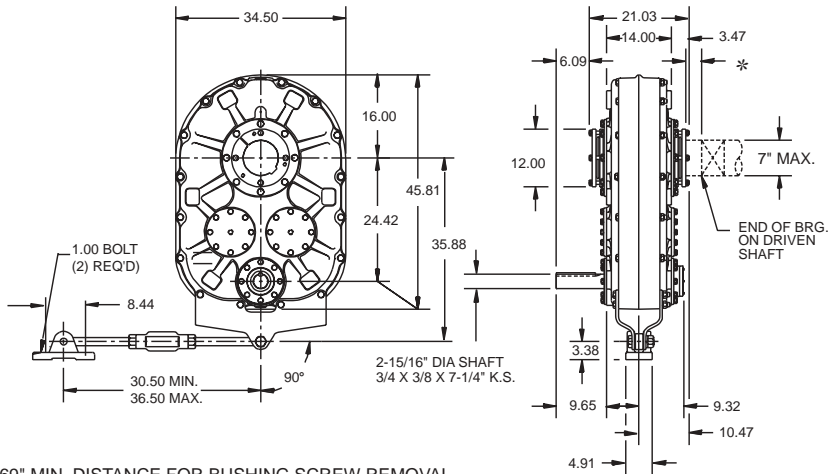
♣ Made to order.

Reducers are supplied already drilled and tapped for vertical mounting and flange mounting. see page G2-201 for Flange Mounting dimensions

● Taper Bushed Reducers require bushing for all bore sizes.



## TORQUE-ARM Shaft Mount Speed Reducers TDT13 - DOUBLE REDUCTION TAPER BUSHED



\* 2.69" MIN. DISTANCE FOR BUSHING SCREW REMOVAL.

### TDT13 Taper Bushed Reducer

Reducer Size	Part Number	AGMA Code	Actual Ratio	Weight
TDT1325T	272250	700D25	24.73	2476

### TDT13 Accessories

Description	Part Number	Weight
TA13 Standard Motor Mount (324T-447T)	272313	290
TDT13 Backstop Assembly	272259	6.70
Optional Filter Breather (1/2-14 NPT) †	430049	0.20
TDT13 Cooling Fan Assembly	272331	20
Heat Exchanger Cooling Package	014148	55
TDT13 Taconite Auxiliary Seal Kit	272456	87

### TDT13 Tapered Bushing Assemblies ●

Stock Bore Size	Part Number	Shaft Keyseat Required †	Weight
7 (Max.)	272257	1-3/4 x 3/4 x 19-9/16	74
6-1/2 ▲	272292	1-1/2 x 3/4 x 19-9/16	92
6 ▲	272291	1-1/2 x 3/4 x 19-9/16	111
5-15/16 ▲	272290	1-1/2 x 3/4 x 19-9/16	113

‡ DODGE standard belt guards will not fit this motor mount.

† Shaft key furnished.

▲ Check the driven shaft and key for strength.

Reducers are supplied already drilled and tapped for vertical mounting and flange mounting. see page G2-201 for Flange Mounting dimensions

● Taper Bushed Reducers require bushing for all bore sizes.

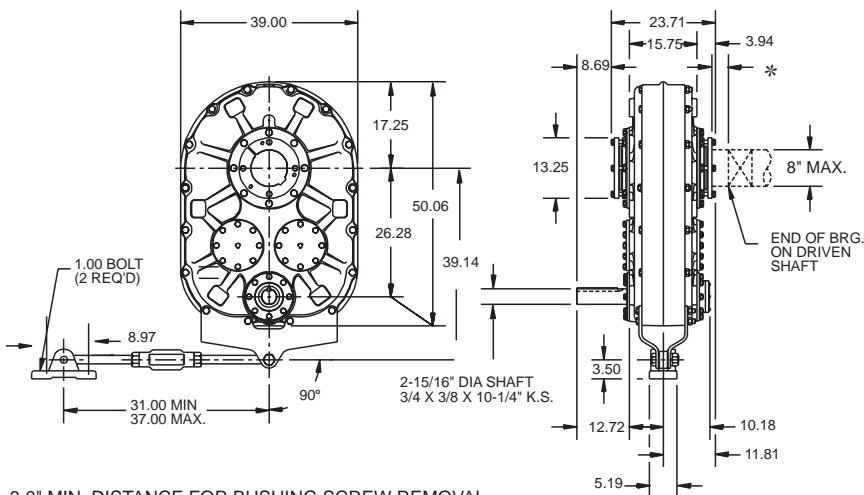
FEATURES/BENEFITS PAGE G2-3	NOMENCLATURE PAGE G2-11	SELECTION PAGE G2-13	RELATED PRODUCTS PAGE G2-152
--------------------------------	----------------------------	-------------------------	---------------------------------



# SELECTION/DIMENSIONS




## TORQUE-ARM Shaft Mount Speed Reducers TDT14 - DOUBLE REDUCTION TAPER BUSHED



### TDT14 Taper Bushed Reducer

Reducer Size	Part Number	AGMA Code	Actual Ratio	Weight
TDT1425T	272150 ♣	800D25	24.80	3436

### TDT14 Accessories

Description	Part Number	Weight
TA14 Standard Motor Mount (324T-447T)	272318	295
TDT14 Backstop Assembly	272293	13.4
Optional Filter Breather (1/2-14 NPT) ♣	430049	.2
TDT14 Cooling Fan Assembly	272332	20
Heat Exchanger Cooling Package	014148	55
TDT14 Taconite Auxiliary Seal Kit	272457	131

### TDT14 Tapered Bushing Assemblies ●

Stock Bore Size	Part Number	Shaft Keyseat Required †	Weight
8 (Max.)	272194	2 x 3/4 x 22-1/4	135
7 ▲	272193	1-3/4 x 3/4 x 22-1/4	144
6-1/2 ▲	272192 ♣	1-1/2 x 3/4 x 22-1/4	162.1
6 ▲	272191	1-1/2 x 3/4 x 22-1/4	188

♣ DODGE standard belt guards will not fit this motor mount.

† Shaft key furnished.

▲ Check the driven shaft and key for strength.

♣ Made to order.

Reducers are supplied already drilled and tapped for vertical mounting and flange mounting. see page G2-201 for Flange Mounting dimensions

● Taper Bushed Reducers require bushing for all bore sizes.

FEATURES/BENEFITS  
PAGE G2-3

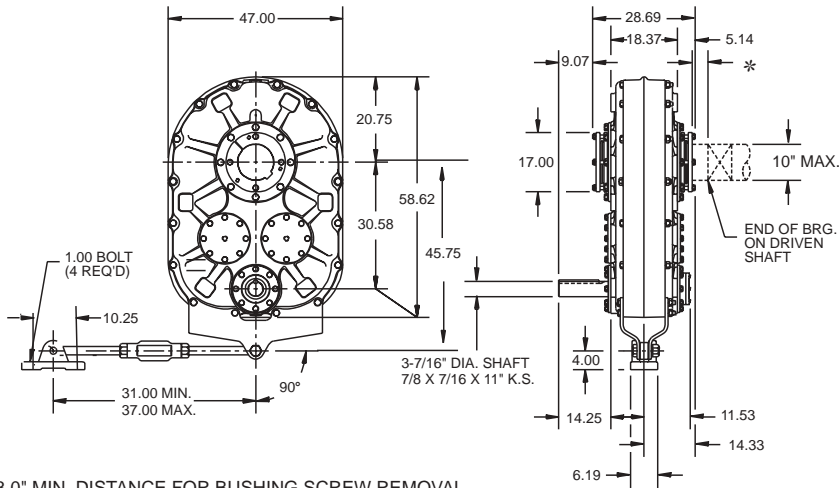
NOMENCLATURE  
PAGE G2-11

SELECTION  
PAGE G2-13

RELATED PRODUCTS  
PAGE G2-152



## TORQUE-ARM Shaft Mount Speed Reducers TDT15 - DOUBLE REDUCTION TAPER BUSHED



\* 3.0" MIN. DISTANCE FOR BUSHING SCREW REMOVAL.

### TDT15 Taper Bushed Reducer

Reducer Size	Part Number	AGMA Code	Actual Ratio	Weight
TDT1530T	272370 ♣	1000D30	30.64	5622

### TDT15 Accessories

Description	Part Number	Weight
TA15 Standard Motor Mount (405T-449T)	272392	300
TDT15 Backstop Assembly	272293	13.40
Optional Filter Breather (1/2-14 NPT) †	430049	0.20
TDT15 Cooling Fan Assembly	272333	23
Heat Exchanger Cooling Package	014148	55
TDT15 Taconite Auxiliary Seal Kit ♣	272458	180

### TDT15 Tapered Bushing Assemblies ●

Stock Bore Size	Part Number	Shaft Keyseat Required †	Weight
10 (Max.)	272395	2-1/2 x 7/8 x 27-5/16	202
9 ▲	272396	2 x 3/4 x 27-5/16	267
8-1/2 ▲	272397	2 x 3/4 x 27-5/16	300
8 ▲	272398	2 x 3/4 x 27-5/16	307

♣ DODGE standard belt guards will not fit this motor mount.

† Shaft key furnished.

▲ Check the driven shaft and key for strength.

♣ Made to order.

□ Reducers are supplied already drilled and tapped for vertical mounting and flange mounting. see page G2-201 for Flange Mounting dimensions

● Taper Bushed Reducers require bushing for all bore sizes.

FEATURES/BENEFITS PAGE G2-3	NOMENCLATURE PAGE G2-11	SELECTION PAGE G2-13	RELATED PRODUCTS PAGE G2-152
--------------------------------	----------------------------	-------------------------	---------------------------------